



The future of workshops

ALL FROM A SINGLE SOURCE

2-Post Lift 4200kg

C2L4200H4

C2L4200H5

Operations Manual

I324093 Issue 2

CAUTION!

This manual is an integral part of the product and must be kept together with the lift throughout its lifetime.

It should therefore be kept in an easily accessible and familiar place and consulted when in doubt. All product operators must be able to read the manual.

The manufacturer is exempted from any responsibility for damage caused by failing to follow the indications in this manual and by improper use of the lifting device.

SYMBOLS USED IN THIS MANUAL



Lifting from above



Moving with fork lift truck or transpallets



Wear working gloves



Wear working shoes



Do not walk or stay beneath suspended loads



Specialist staff



Caution!



Working mechanical parts



Crushing



Obligation

CONTENTS		
1. General Safety Precautions		6
2. Safety Devices		7
	2.1 Padlockable main switch	7
	2.2 Deadman device	7
	2.3 Device to prevent accidental descent	7
	2.4 Device to prevent electric overcharges	7
	2.5 Overload valve	7
	2.6 Arm anti-rotation device	7
	2.7 Indication of outstanding device	7
	2.8 Pictograms on lift	7
3. Intended Use		9
4. Technical Data		10
	4.1 Pre-installation and movement	10
5. Description of Lift		11
	5.1 Main technical specifications	11
	5.2 Lift controls	11
	5.3 Suitability for use	12
6. Checking the minimum requirements for the place of installation		12
7. Installation Instructions		14
	7.1 Components and accessories for installation	14
	7.2 Installation instructions	17
	7.3 Voltage check	19
	7.4 Connecting up to the mains	32
	7.5 Phase sequence check	32
	7.6 Completion and check	32
	7.7 Arm stop	32
	7.8 Checking the oil level	32
	7.9 Air bleeding out the hydraulic circuit	34
	7.10 Dismantling	34
8. Instructions for using the lift	8.1 Improper use of the lift	34
	8.2 Use of accessories	34
	8.3 Staff training	34
	8.4 Important checks to be made	34
	8.5 Description and function of controls	36
	8.6 Emergency procedure: emergency drop with power off	36
9. Troubleshooting		36

CONTENTS		
10. Maintenance		38
	10.1 Slideways	38
	10.2 Cables and pulleys	38
	10.3 Checking oil level	38
	10.4 Checking the safety catches	38
11. Storage		38
	11.1 Scrapping	38
12. Electrical Installation		39
13. Hydraulic System		40
14. Machine Identification Data		41
15. Spare Parts Table		
	15.1 Illustrated Summary	42
	15.2 Column Group	43
	15.3 Lifting Arm Unit	45
	15.4 Hydraulic Power Pack	46
16. Hydraulic System Table Definition		47
17. Table for labels & danger warning devices		48
18. Electrical System		49
19. Installation Report		50
20. Periodical Visit		51
21. Unscheduled Maintenance & Repairing		52
22. After Sales Service		53
23. Contact Details		53

1. GENERAL SAFETY PRECAUTIONS

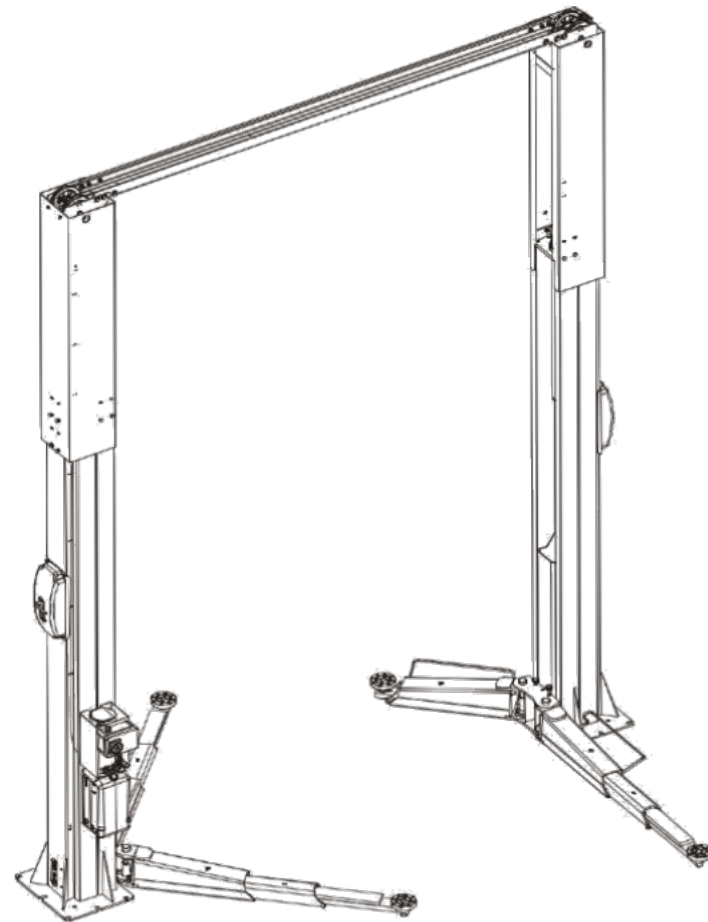
The lift should only be used by properly trained personnel and only after reading and understanding this manual. The operator must be authorised by the person in charge of the plant.

Tampering with or making changes to the lift and safety devices is forbidden. Failure to comply will result in the manufacturer being released from all liability for any resulting damages. Also follow these instructions:

- only use manufacturer's accessories and spares;
- installation must be performed by authorised and professional personnel;
- make sure no hazardous situations occur during up or down movement of the lift. If they do, stop the lift immediately and remedy the causes of the emergency;
- the arms must be positioned at the vehicle points provided.

Before lifting, check vehicle stability. During up or down movement, check the vehicle load bearing point;

- standing on the lifting mechanisms is forbidden;
- after lifting, position the switch on "0";
- before lifting, check the load is correct by means of the "load diagram" adhesive.



2. SAFETY DEVICES

2.1 Padlockable main switch

2.2 Deadman device

The lift is equipped with a "deadman" type operative system so that the rise or descent operations are immediately stopped when the command is released.

2.3 Device to prevent accidental descent

The lift is equipped with an automatically activated device. This prevents the lift descending more than 100 mm when there is a defect or leak in the hydraulic lifting circuit.

2.4 Device to prevent electric overcharges

The lift is equipped with a magneto-thermal switch. The magneto-thermal switch might be disabled. This can be manually reset inside the electric panel.

2.5 Overload valve

Prevents lifting of loads exceeding lift capacity.

2.6 Arm anti-rotation device

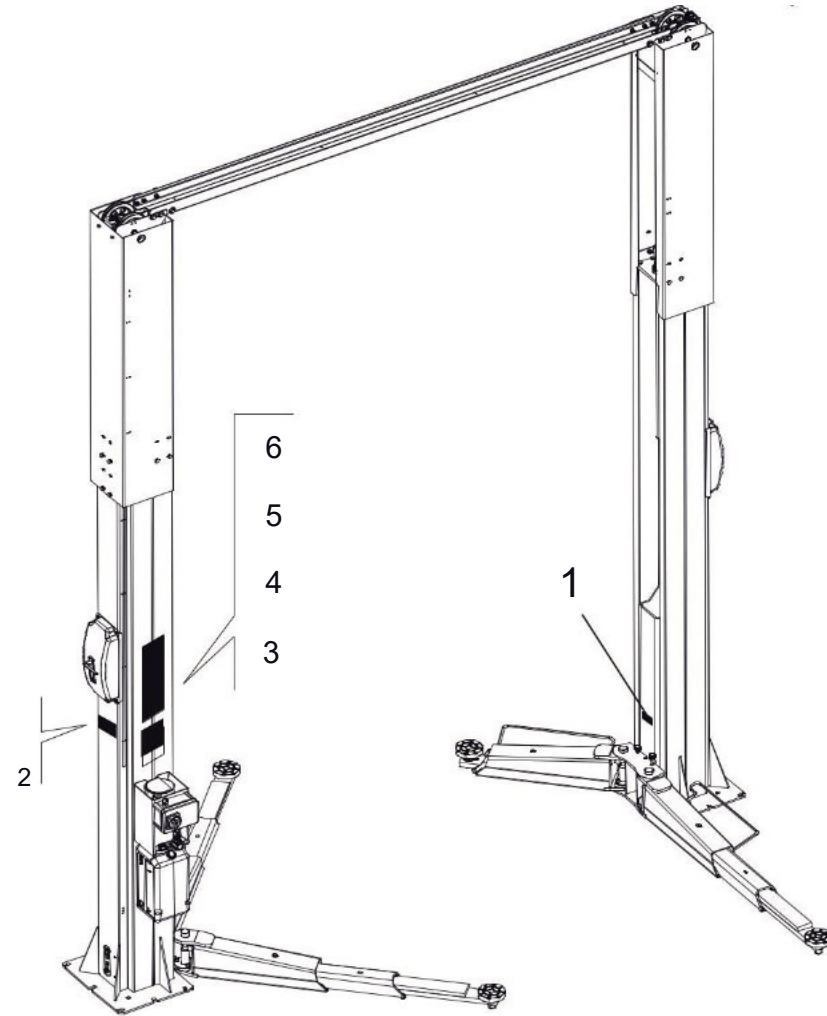
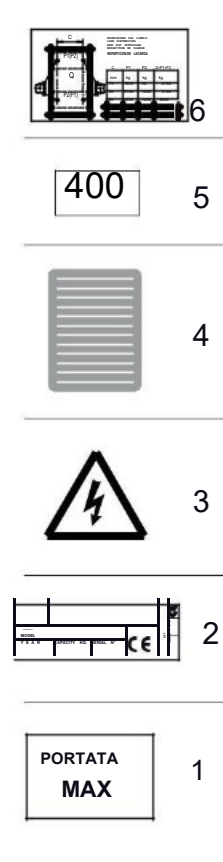
This device automatically stops arm rotation as soon as elevation starts.

2.7 Indication of outstanding risks

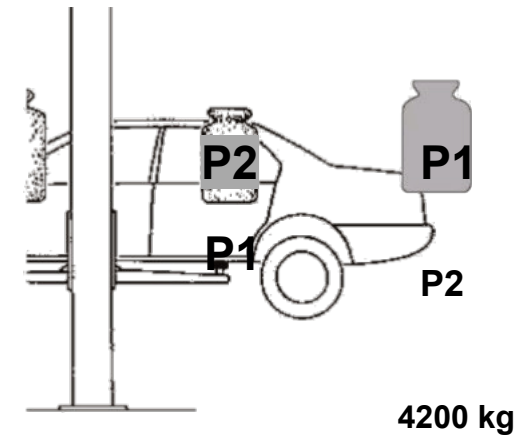
Our lift has been manufactured according to the most stringent standards required by applicable directives. Risk analysis has been carefully made and all hazards have, as far as possible, been eliminated. Any outstanding risks are evidenced in this manual and on the machine by pictograms.

2.8 Pictograms on lift

See fig. In the event of these pictograms being damaged, they must be replaced by new ones available from the manufacturer.

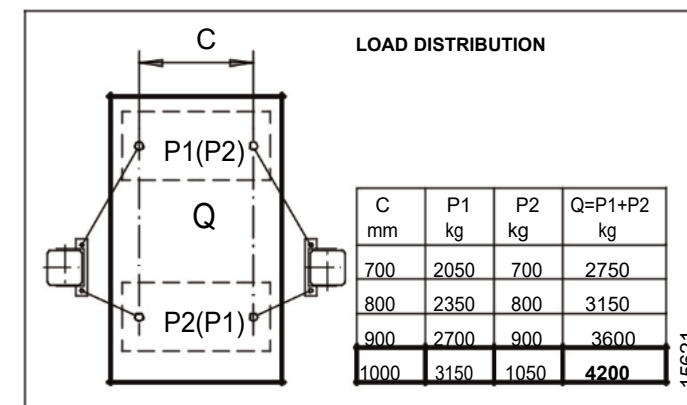


1	SWL Plate
2	Serial Plate
3	Warning Plate
4	Instruction Plate
5	Voltage Plate
6	Load Distribution Plate



(P1) P2

(P1) P2



3. INTENDED USE

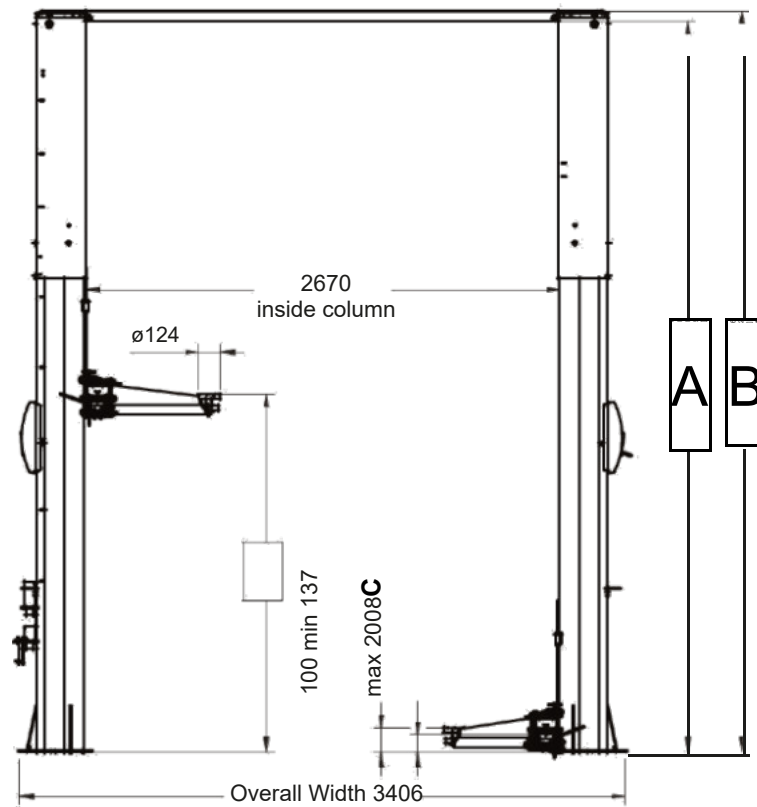
The product is designed for lifting vehicles. The capacity is indicated on the serial number plate.

Vehicles having the following characteristics may be lifted:

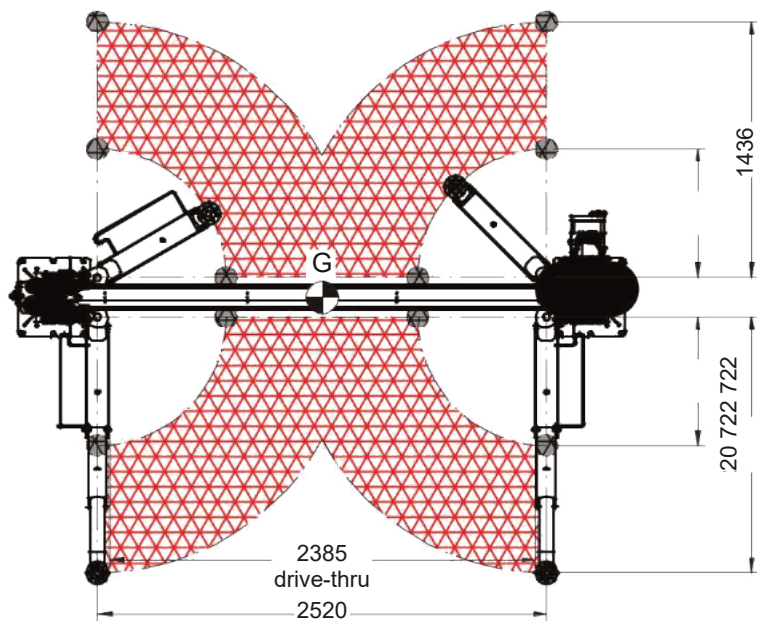
- weight not exceeding lift capacity
- load distribution on supporting points -SEE TABLE page 12
- minimum distance of pickup points (track):(mm.1000 - 4200kg)

For lower distance values, the lift capacity will be reduced. In this case or in other cases not covered by this manual, the manufacturer should be contacted.

- The lift may only be used in enclosed areas where there is no danger of explosion or fire.
- The lift is not suitable for use where vehicle washing is contemplated.

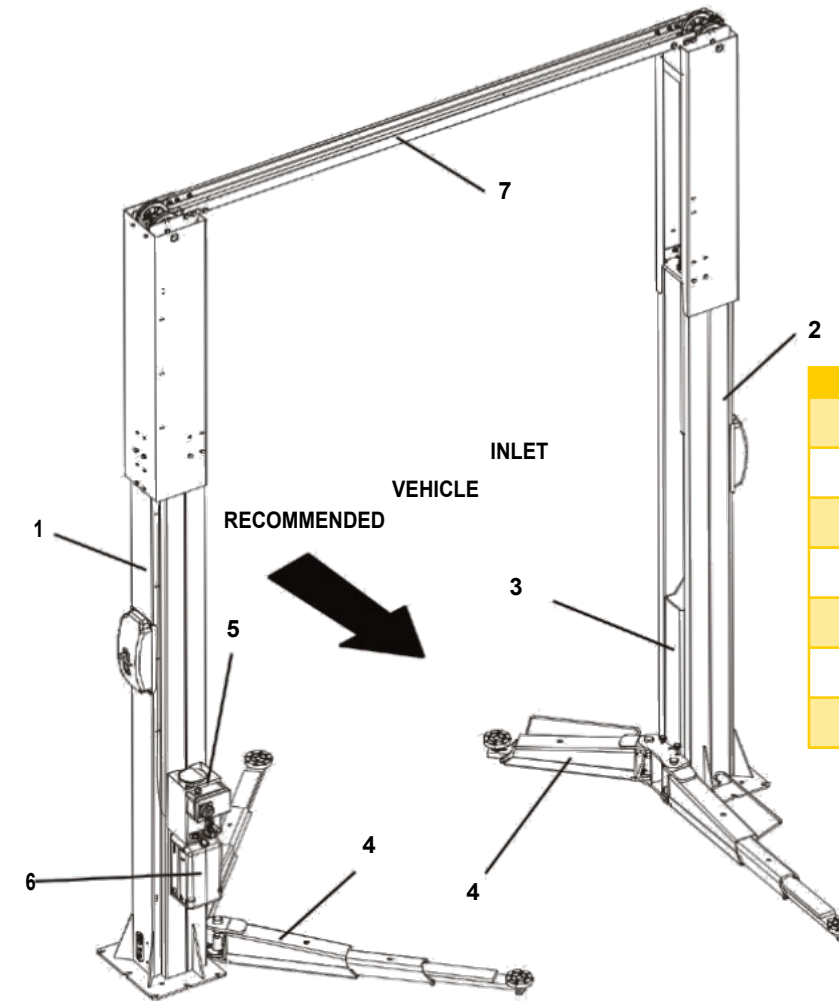


	A	B	C
C2L4200H4	4162 4062	4105 4005	2008
C2L4200H5	4987 4887	4930 4830	2008



4. TECHNICAL DATA

Capacity	4,200kg
Three-phase motor	230/400V - 50Hz - 2.6kW
Weight	750kg
Noise level	≤70dB (A)



**C2L4200H4
C2L4200H5**

1	Control Post
2	Opposite Post
3	Carriages
4	Arms
5	Control Box
6	Hydraulic Control Unit Motor
7	Gantry

5. DESCRIPTION OF LIFT

Two-post electro-hydraulic lift with telescopic arms.

5.1 Main technical specifications

Carriage shift on sliders in high-resistant technopolymer featuring low friction factor.

Upstroke and downstroke movements ensured by two hydraulic, synchronized cylinders between the carriages through a steel cable.

Carriage synchronization regardless of load distribution.

Safety valves for overloads and hydraulic pipes breakage.

Valve checking downstroke speed.

Mechanical stop device featuring automatic enabling and air-operated disabling, ensuring maximum safety when in parking mode.

Take-up device for spring elongation of the loaded cable.

5.2 Lift controls

- Control box with up switch.
- Control lever for lift down on control box
- Release lever of safety latches on column

5.3 Suitability for use

This product has been tested at the factory and, considering the type of product and its mobile installation, it does not require any additional tests. However, additional tests should be necessary, we grant that it was manufactured in compliance with the European Directive 2006/42/CE. According to Article 4.1.2.3 of this Directive (Annex 1), the coefficients used for the tests are as follows:

1.10 for the Dynamic test 1.25 for the Static test
These tests must be performed by specialised personnel.

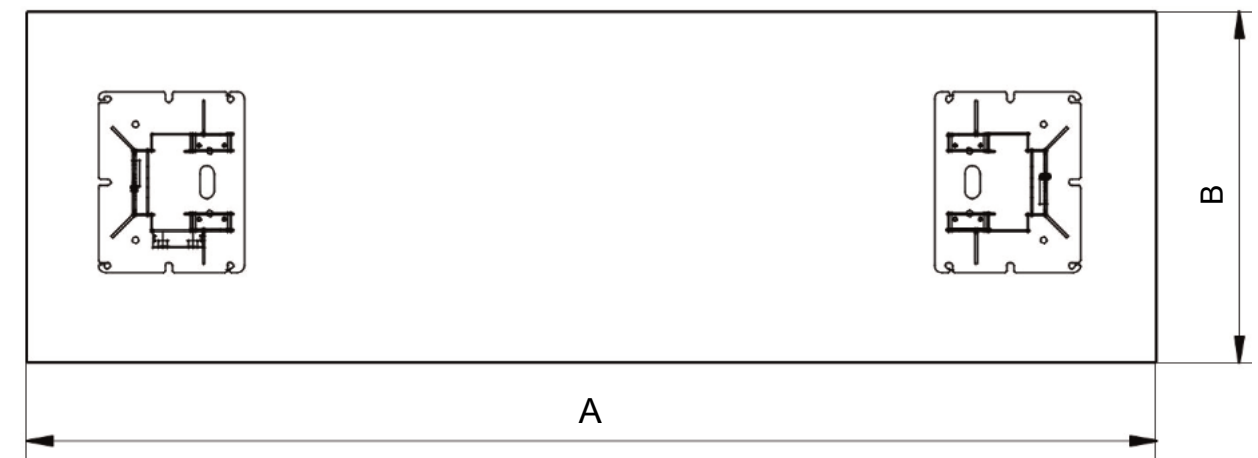
6. CHECKING THE MINIMUM REQUIREMENTS FOR THE PLACE OF INSTALLATION

Check that the area in which the machine is to be installed has the following characteristics:

- enough light (without strong or dazzling lighting).

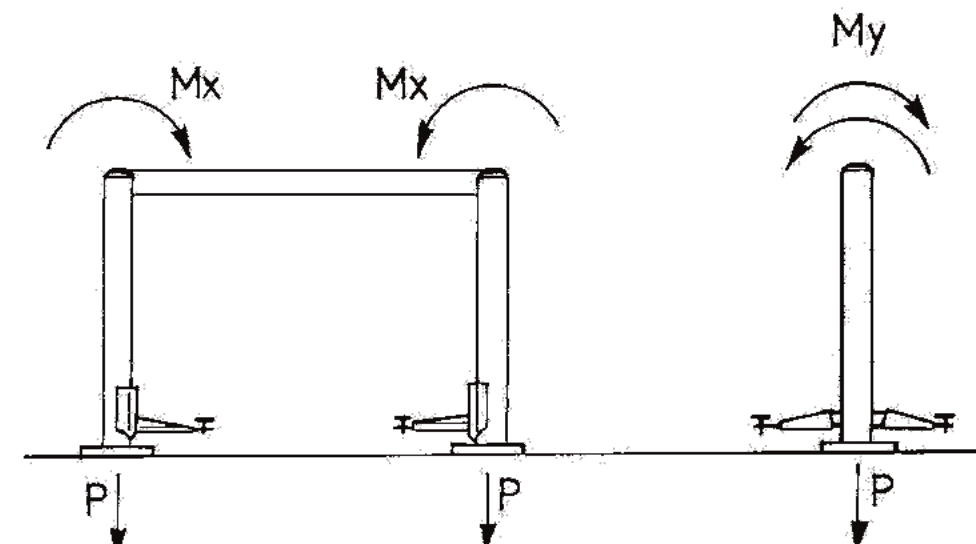
Reference: standard UNI 10380;

- the area is not exposed to bad weather;
- the area is adequately ventilated;
- an unpolluted environment;
- sound levels are below the prescribed standards required by law 70db (A);
- no dangerous movements are caused in the area by other machines being operated;
- the area in which the machine is installed does not stock explosive, corrosive and/or toxic material;
- the distance of the posts from the walls and any other fixed equipment must be at least 50 cm;
- the installation layout should be selected so that the operator can see all the equipment and the surrounding area from the operating position. The operator must prevent unauthorised persons and potentially dangerous objects from entering this area. All installation work concerning connections made to external power sources (particularly electrical) should be done by professionally qualified staff. Installation must be done by authorised staff following specific instructions where present in this manual: if in doubt, please contact authorised service centres of the manufacturer's technical services department.



	A	B
C2L4200H4/H5	4006	1500

Capacity 4200 kg



	P=kg	Mx kgmm	My kgmm
C2L4200H4/H5 (for all installations)	2550	2.350.000	1.500.000

7. INSTALLATION INSTRUCTIONS

The lift should be installed on flat level floor able to support LOADS TRANSMITTED TO SUPPORT AREA (See fig. 1).

7.1 Installation requirements

Minimum features for floor should be the following:

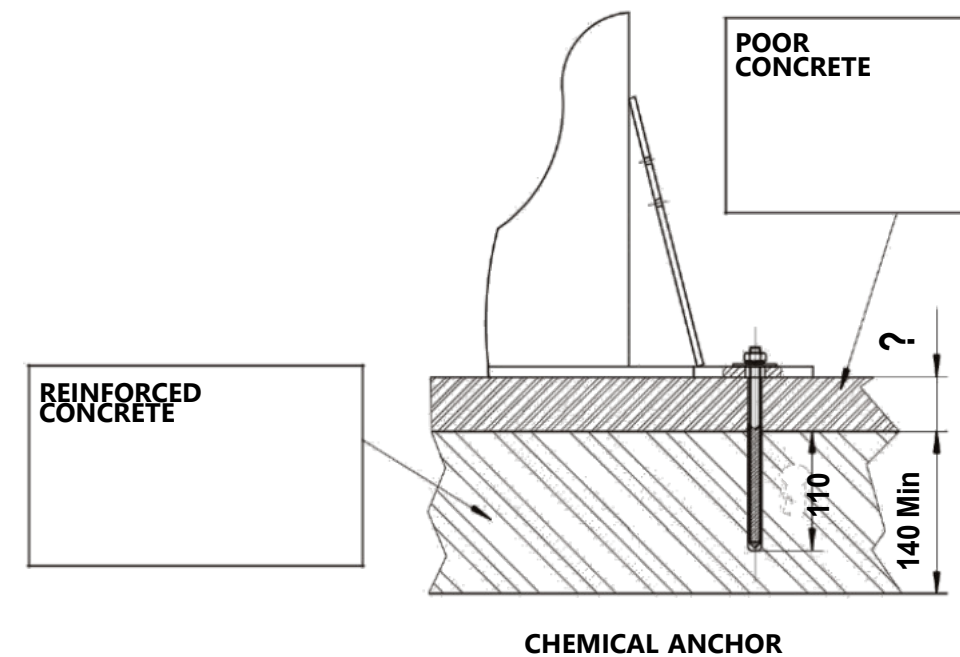
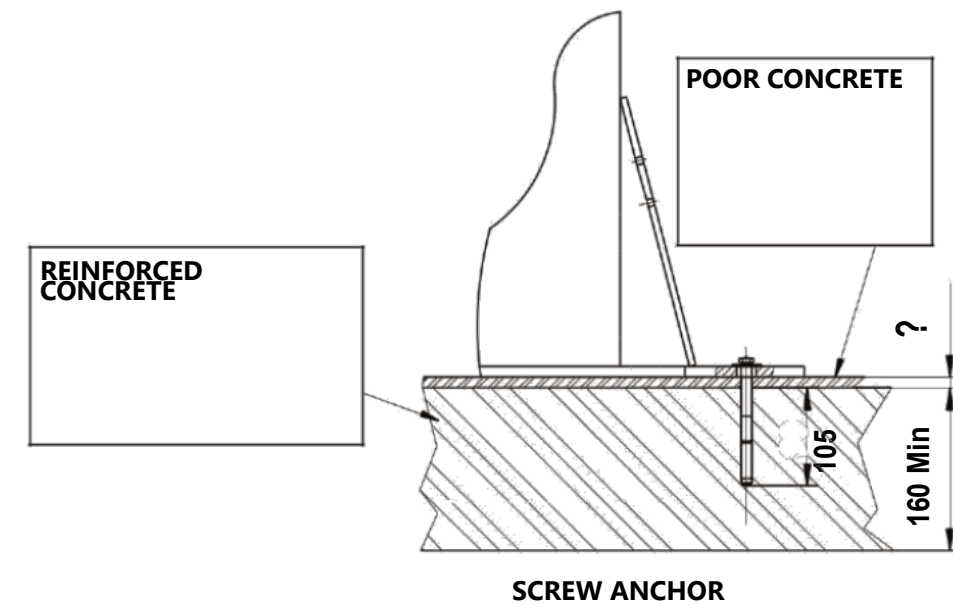
- I) Concrete used: class R'bk 300 or higher
- II) Minimum thickness of the flooring net of any tiling and layout blocks (See fig. 1a)
- C) Upper and lower reinforcement done at least with electro-welded wire net $\varnothing 4 \times 150$ mm or combined, and mesh not exceeding 250mm. Wire cover no greater than 25 cm
- D) Bearing capacity of area no less than 1,3 Kg/cm²

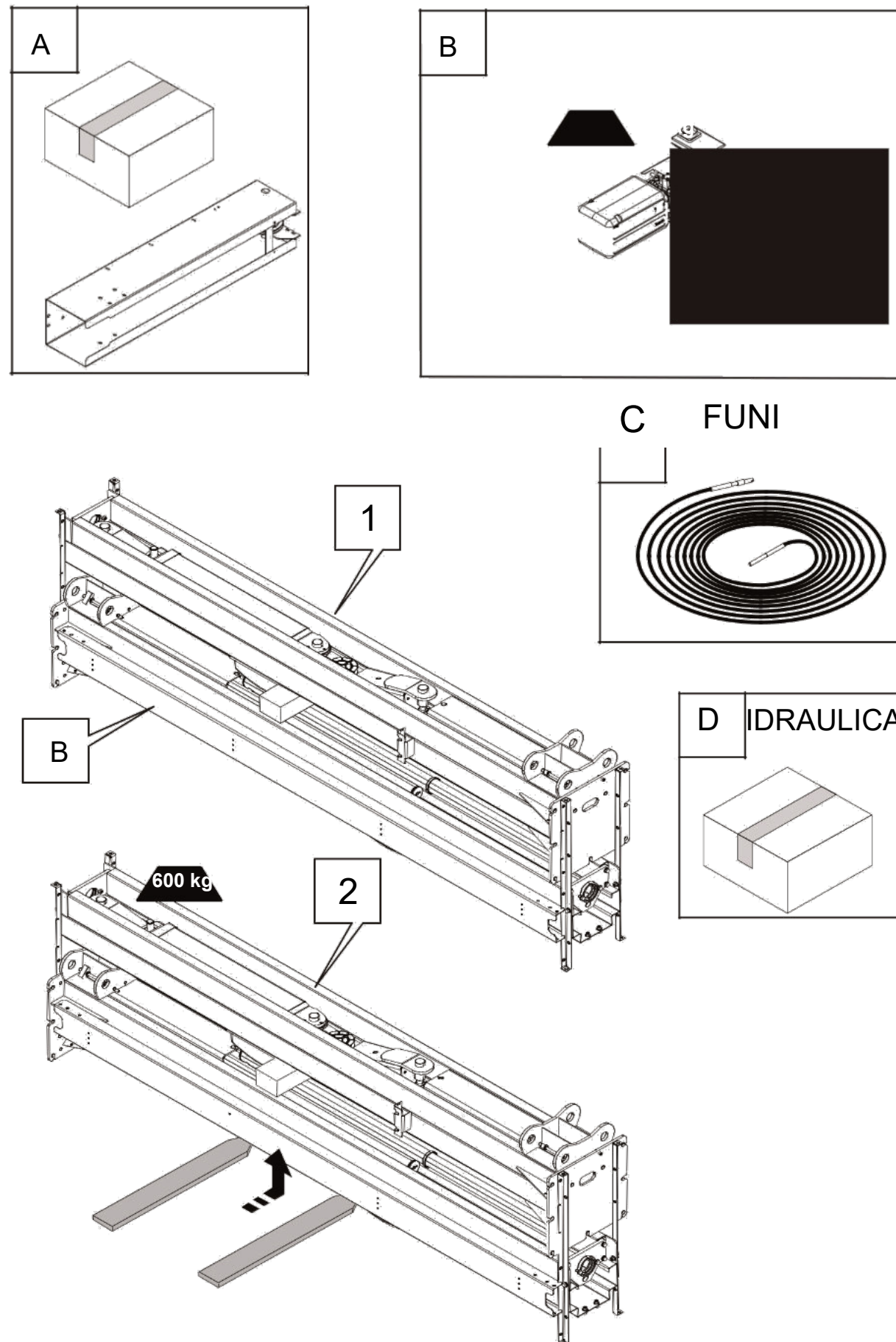
These characteristics must be guaranteed over a minimum area dependent lift installed (see the table in fig.1), where there must be no expansion joints or cuts to break the continuity of the upper Reinforcement.

In the case of existing floors where such characteristics cannot be checked a foundation cement casting should be laid for a minimum surface area of m 4,00x1,50, with a depth of 25 cm having double reinforcement as described above.

Whenever there are doubts about the actual consistency of the floor, you are advised to contact a qualified technician.

The lift must be secured to the floor with mechanical screw anchors of the type HILTI HSL-3 M12/25 or similar or with chemical anchors (vials) HILTI HVU M12x110 or similar, with a M12 threaded bar in steel class 5.8 or higher.





7.2 Components and accessories for installation

- The lift is dispatched as shown in the illustration 1.
- Packages contain the accessories and the small parts for lift assembly completion.
- Lifting must be done as shown in the illustration 2.
- Raise with care and move the various units to the unpacking site.

Proceed as follows when moving the machine to the chosen installation point (or for subsequent re-positioning):

- lift with care, using suitable means of load support which are in perfect working order and using the special hooking points as shown in the illustration.
- avoid sudden jolts and pulling, watch out for uneven surfaces, bumps etc..
- take special care with outjutting parts: obstacles, difficult throughways, etc..
- wear suitable clothing and protective gear.
- after removing the various packaging materials, check that these are taken to special waste collecting areas inaccessible to children and animals where they will subsequently be disposed of.
- on receiving the goods, check that the packaging has not been opened.

Once unpacked, check that nothing has been damaged.

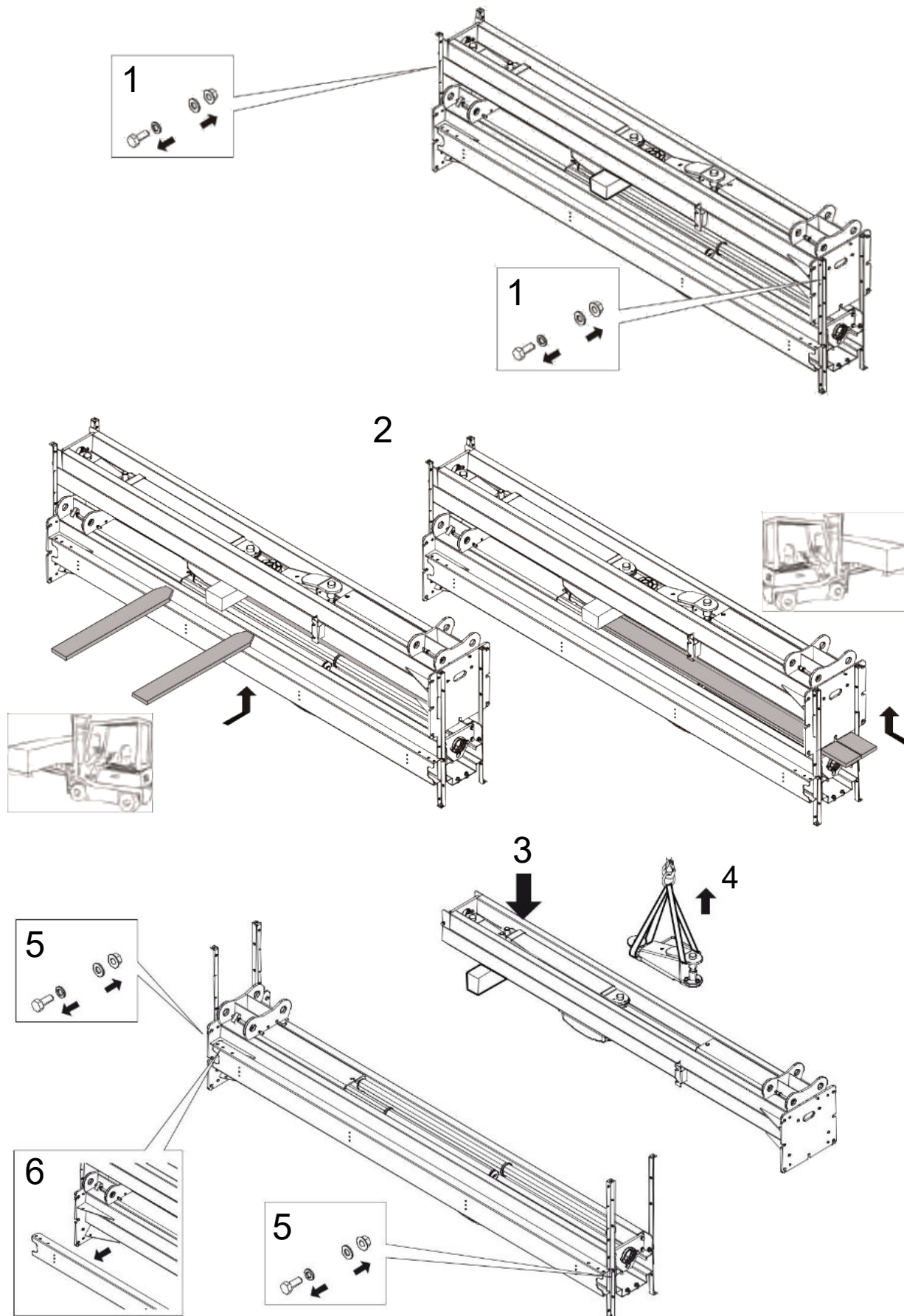


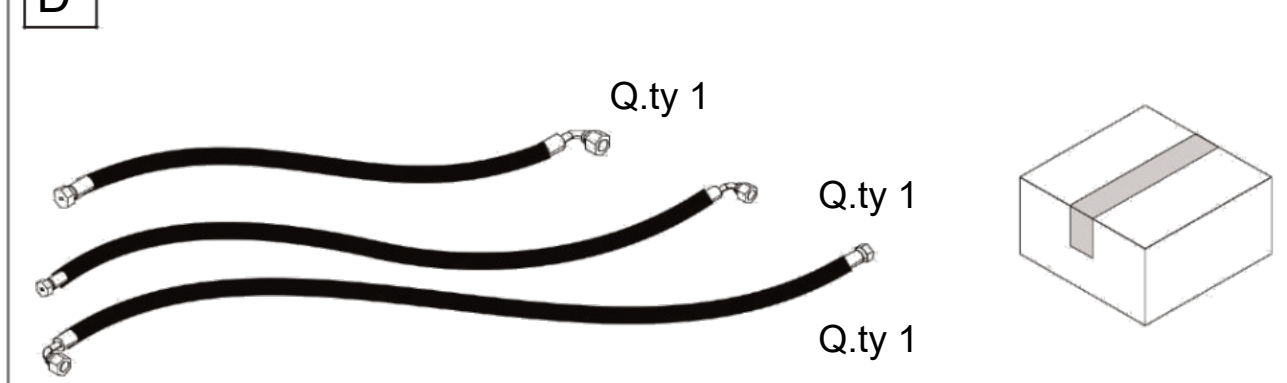
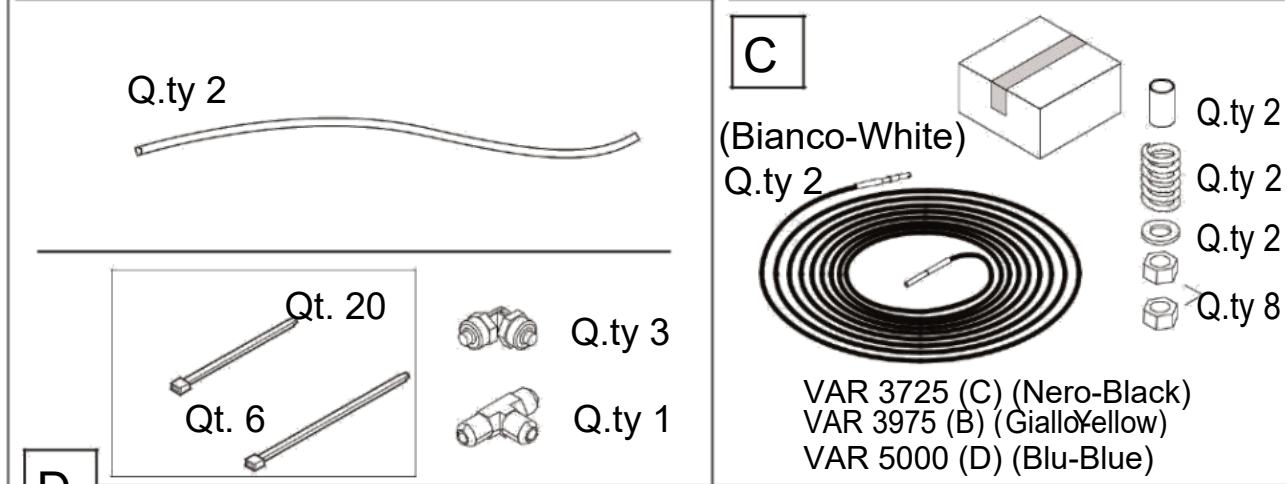
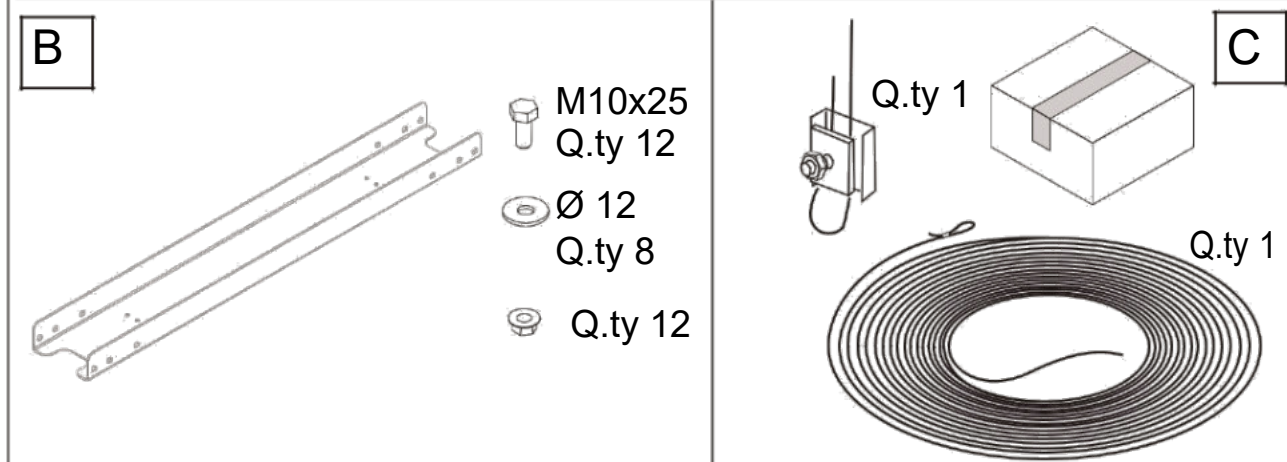
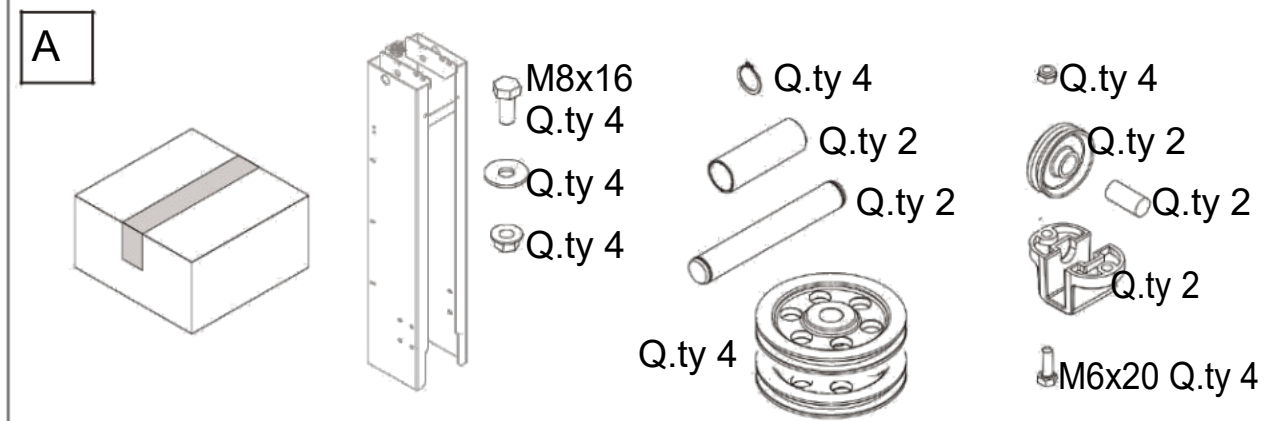
7.3 Instructions for unpacking and assembly

7.3.1 Instructions for unpacking

Picture on the side shows all the steps for correct unpacking of the lift.

NOTE:
 Perform operations with caution, using appropriate supporting tools of the load and in perfect working order.





7.3.2 Installation instructions

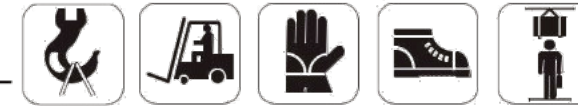
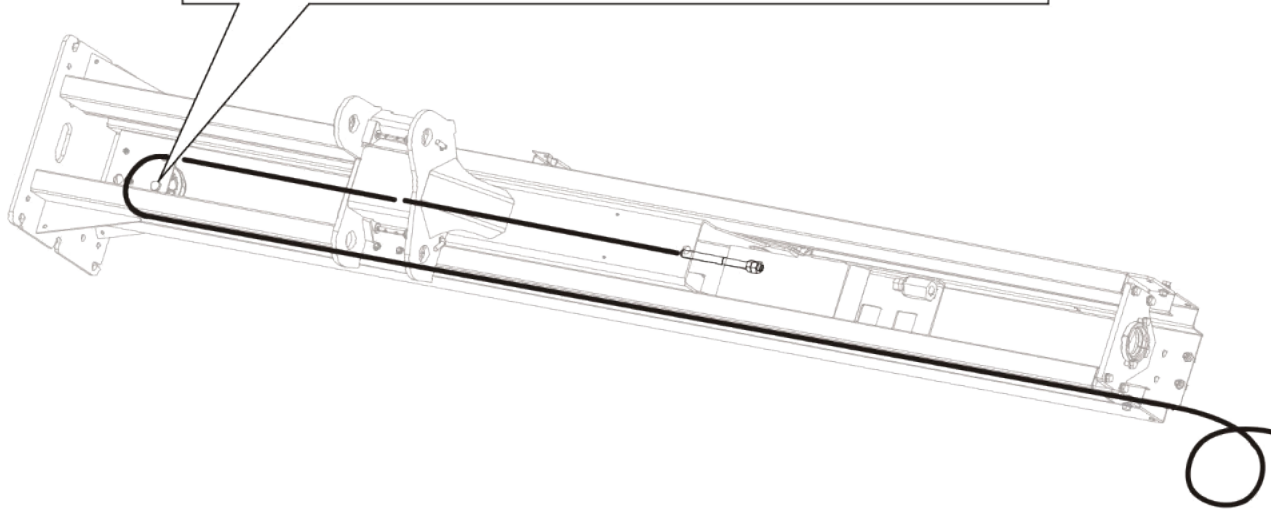
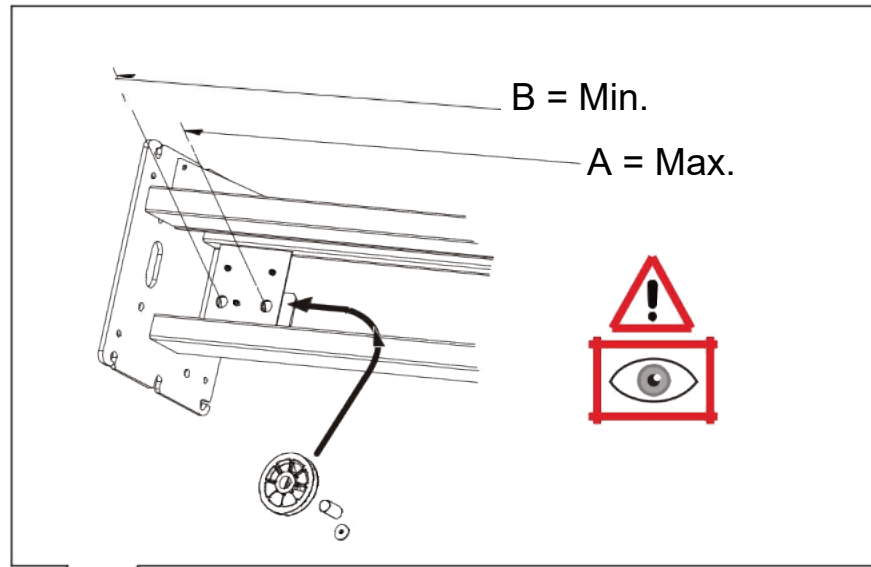
Picture on the side shows the components of the lift inside the delivered packages and the corresponding quantity.

In the following pages we list all the steps for proper installation of the lift.

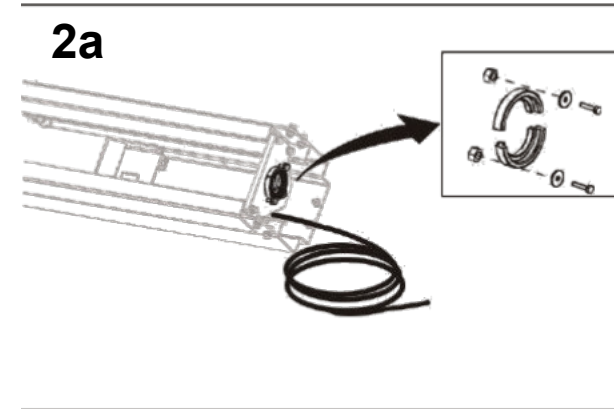
NOTE:
 After following the instructions below, mount the lift very carefully and slowly. Steps of assembly must be performed in the indicated sequence.



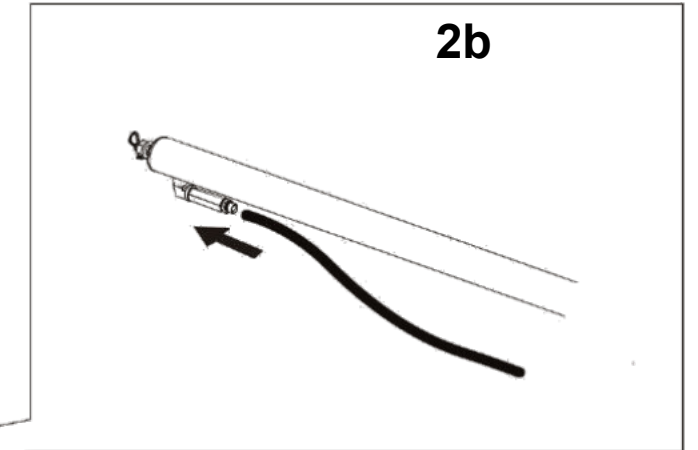
1a



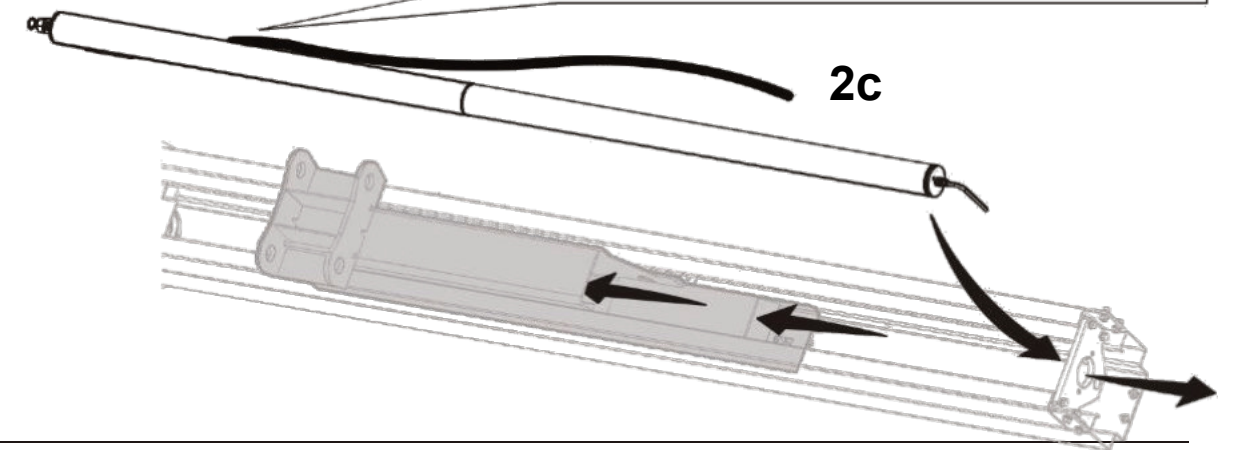
2a



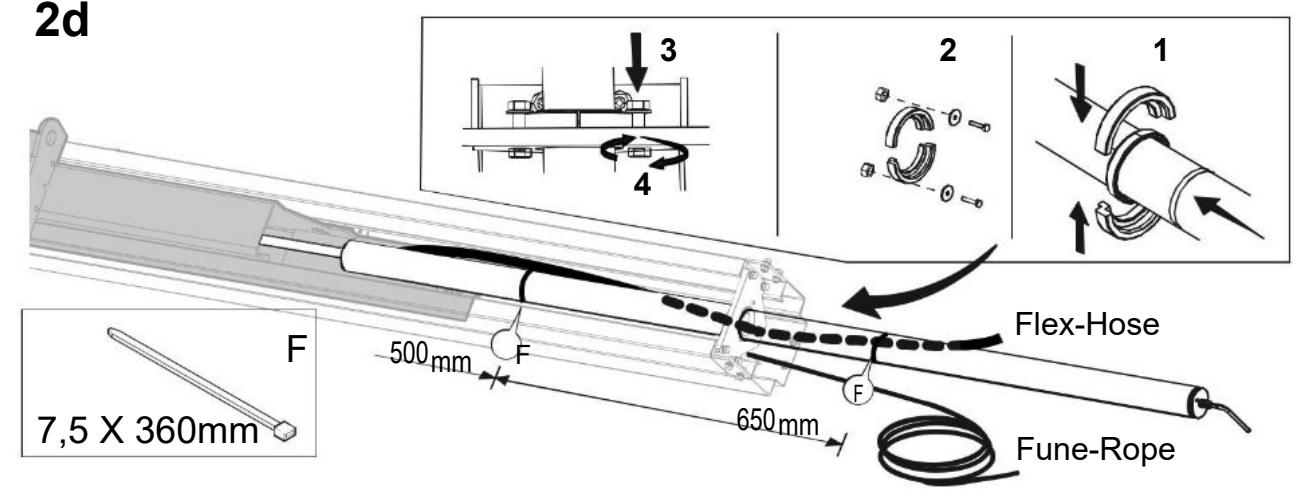
2b



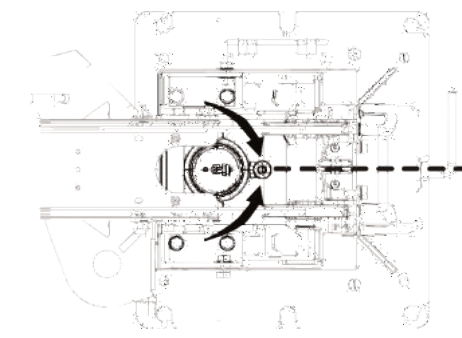
2c

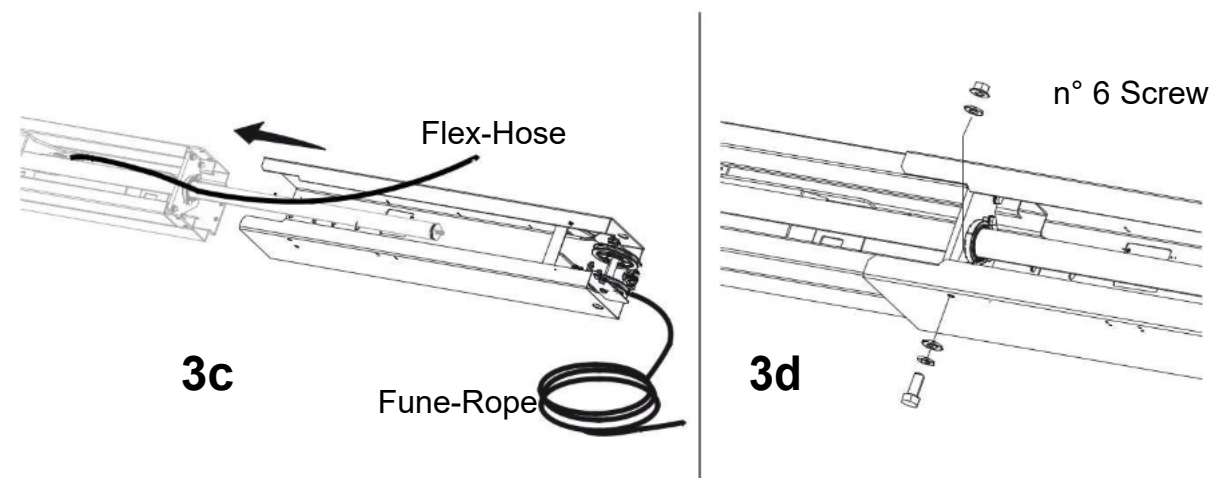
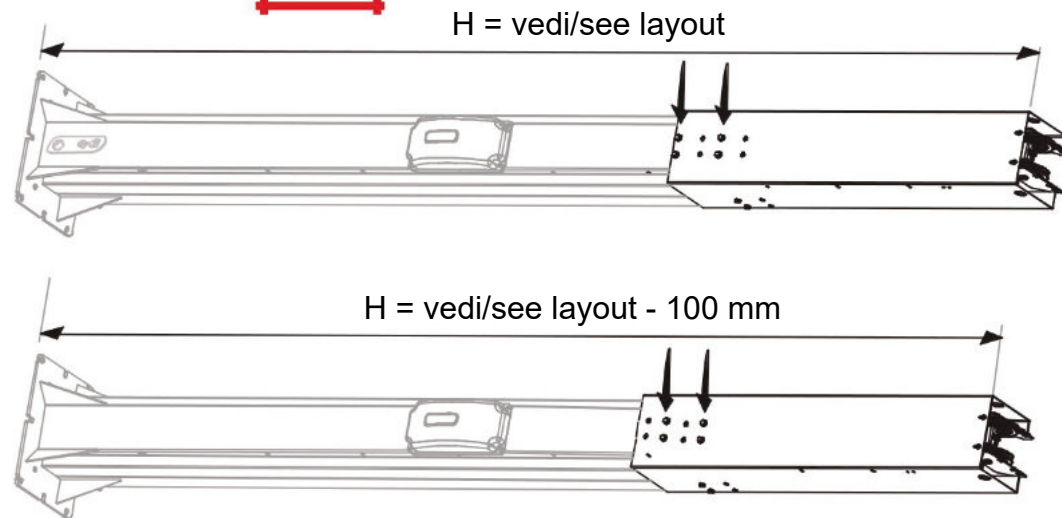
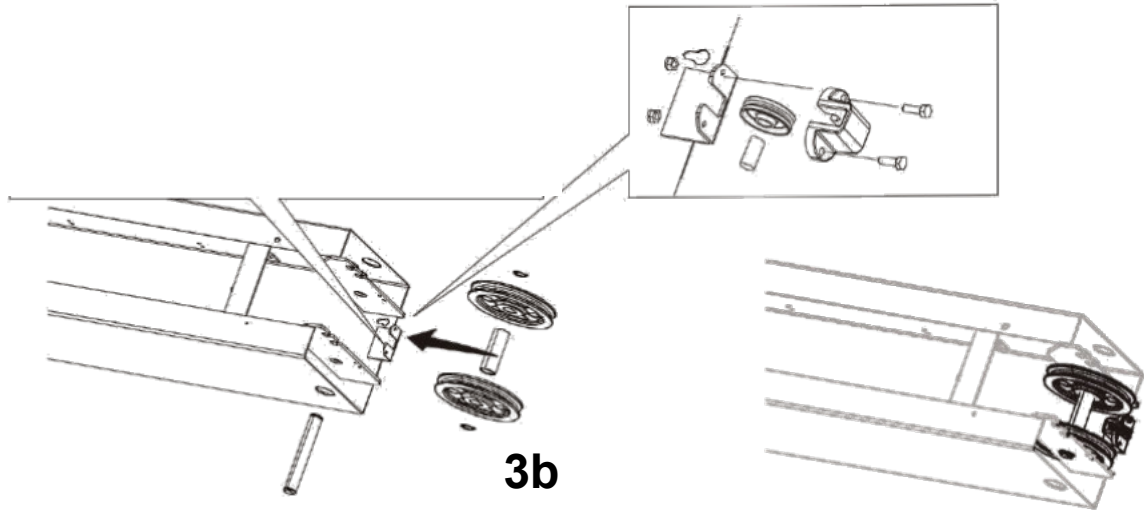


2d

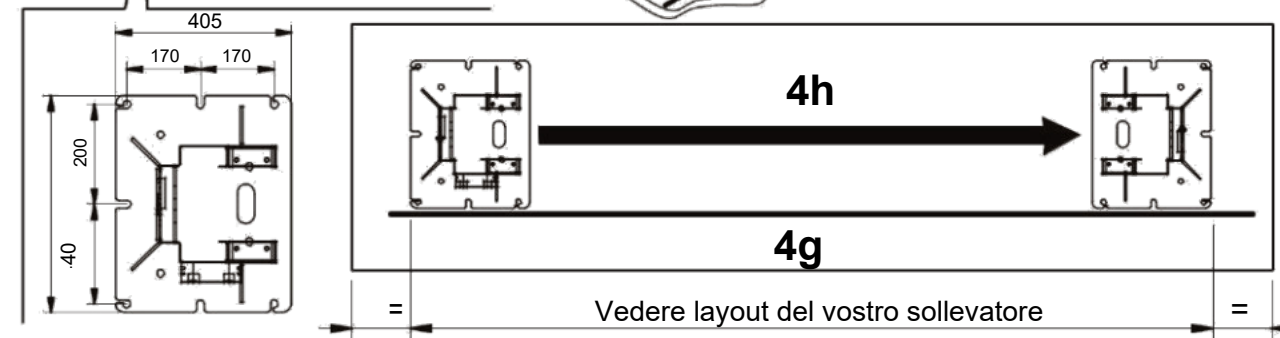
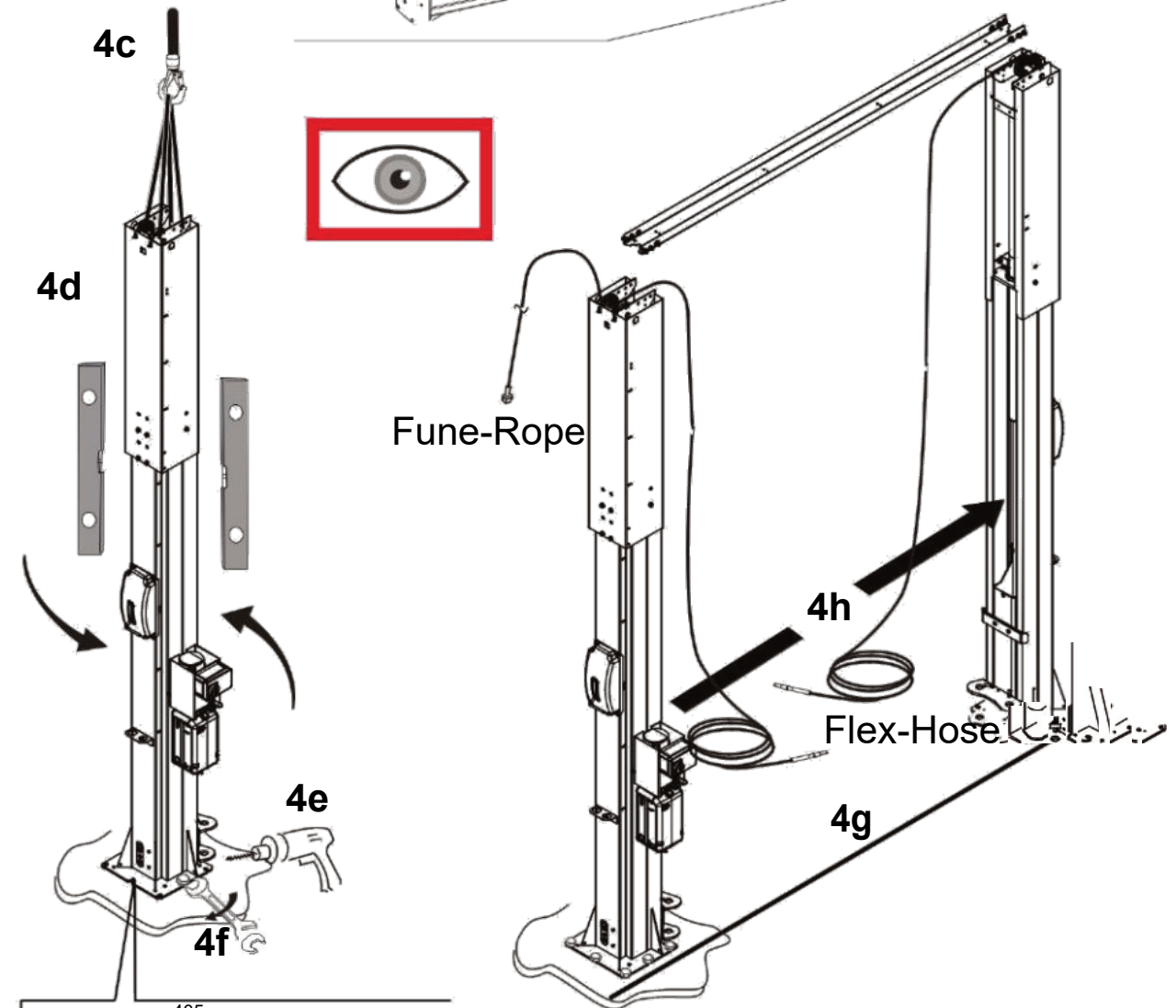
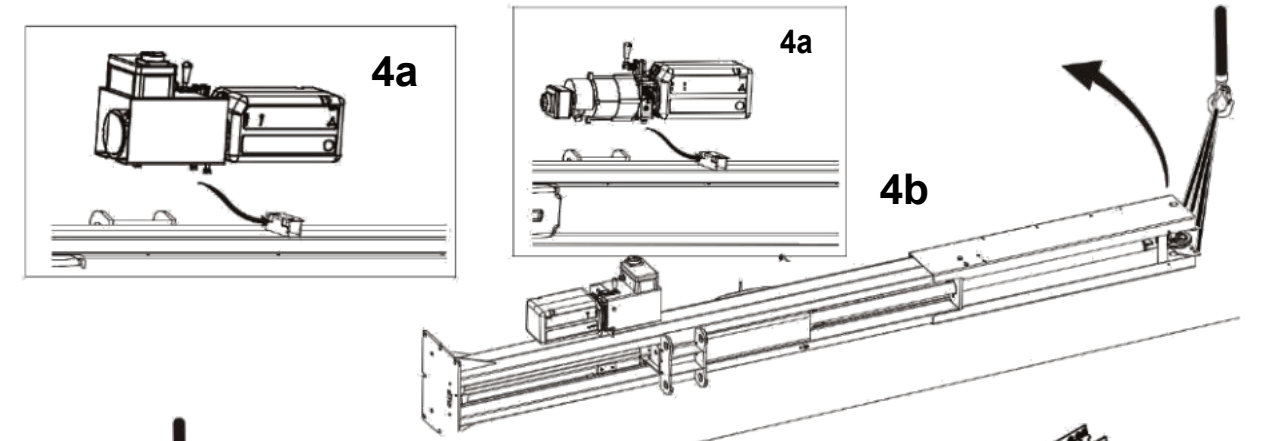
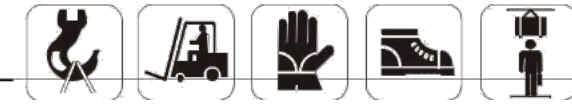


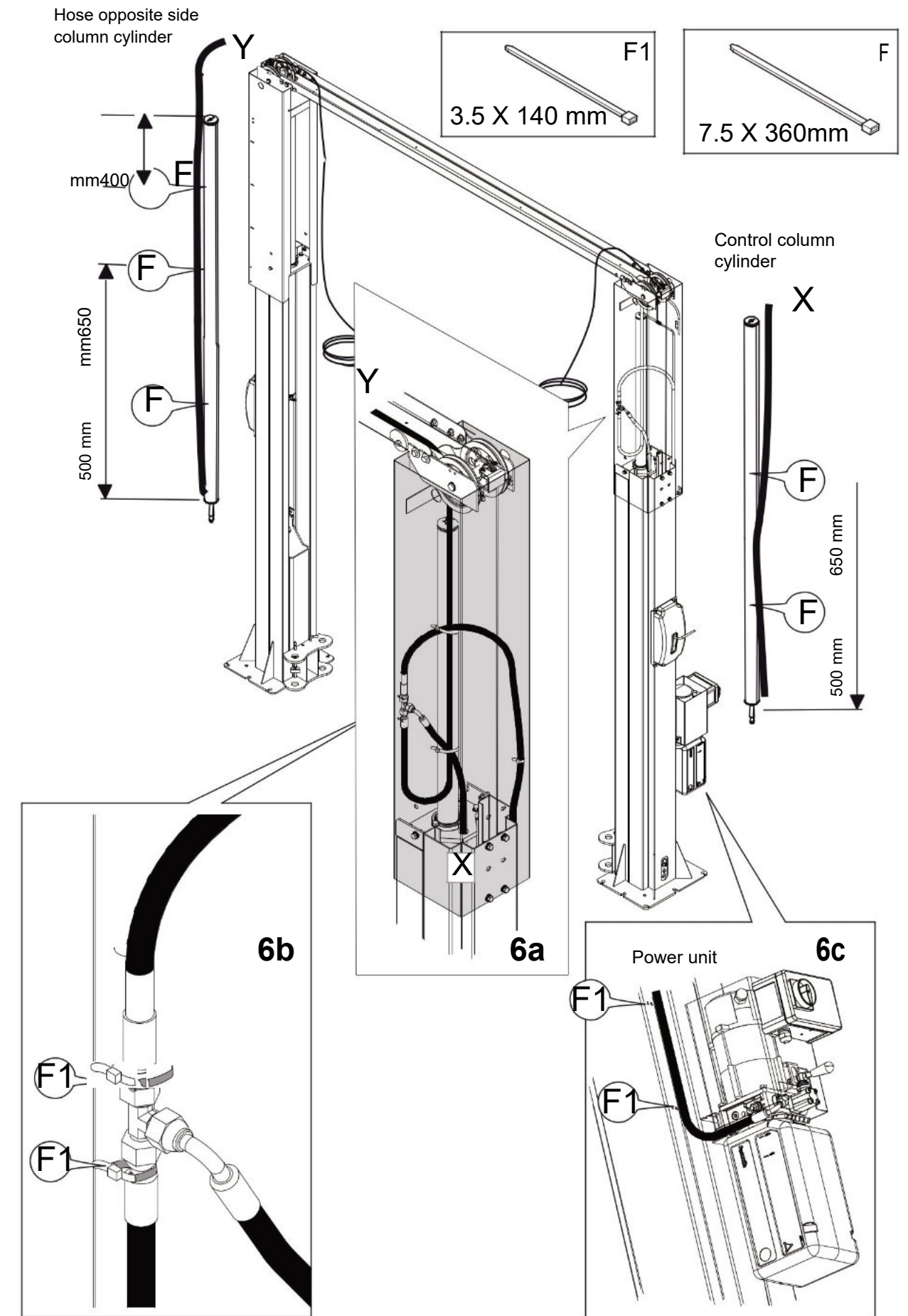
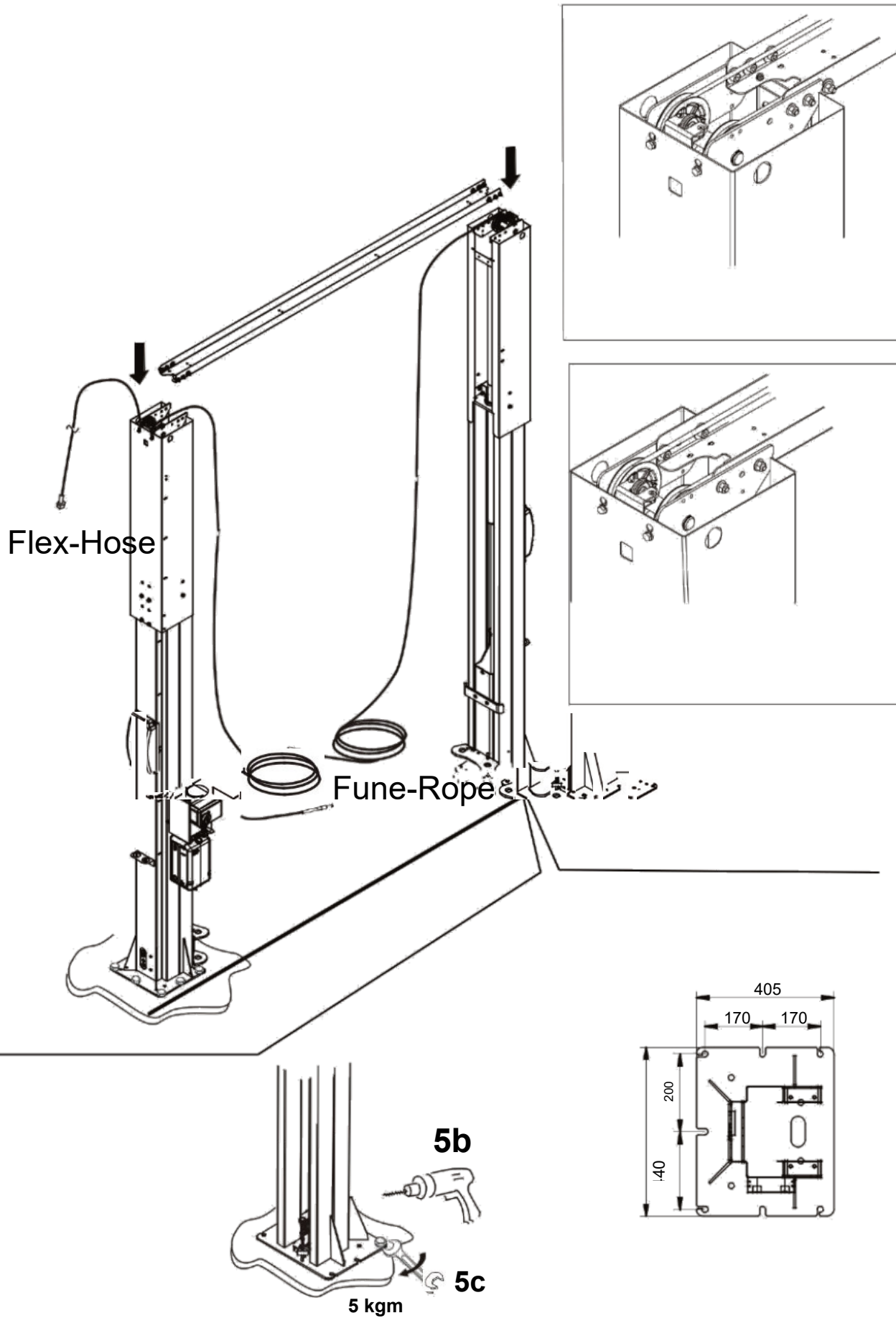
! eye 2e

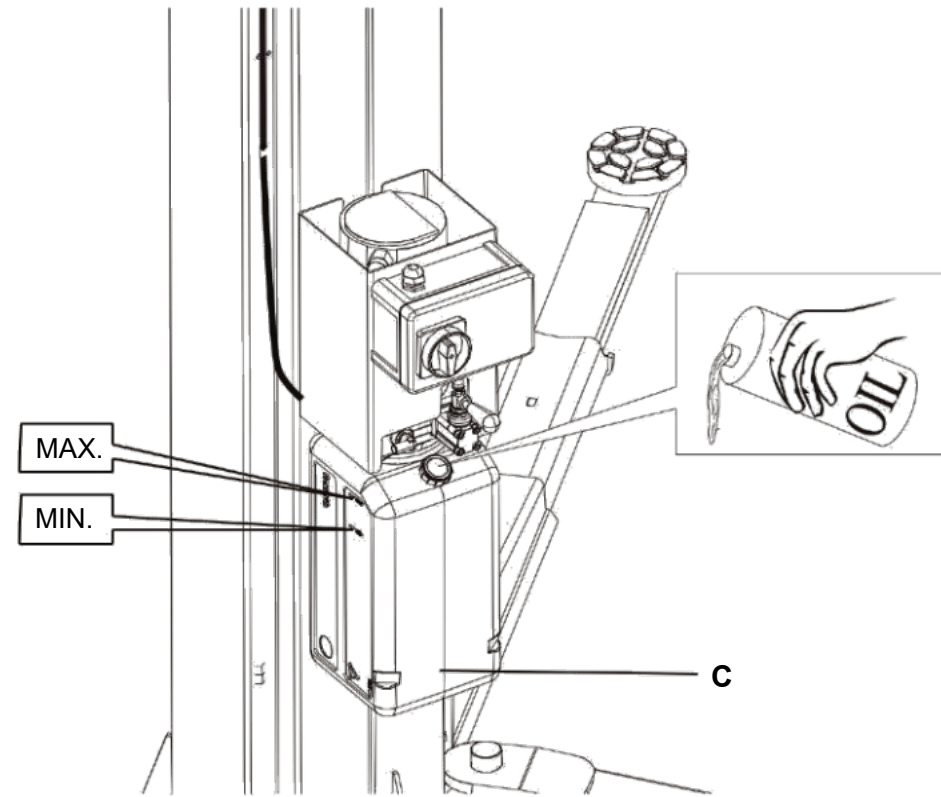




Repeat all operations shown in fig. 1÷3 to fit the opposite side column.







7a

Mounting synchronized cable carriages

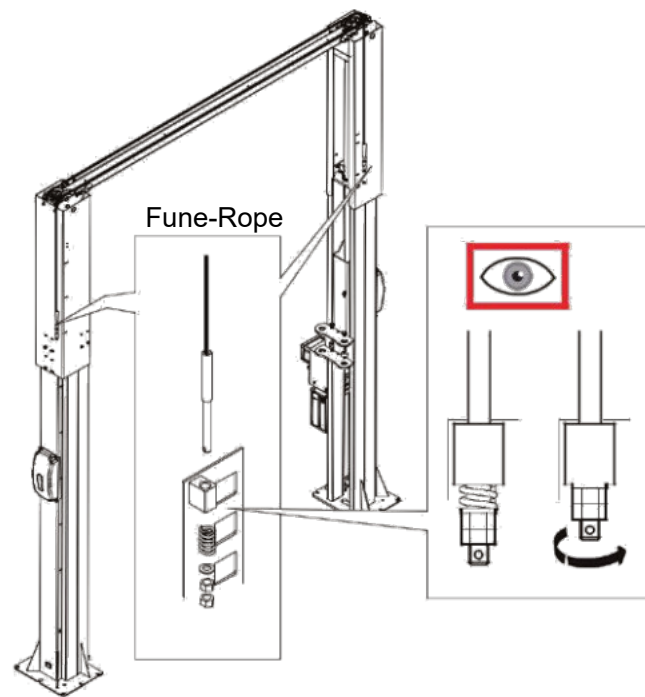
- Connect the lift electrically

NOTE:
For warnings and instructions regarding the electric connection, see section 6.3 - 6.4 of this manual.

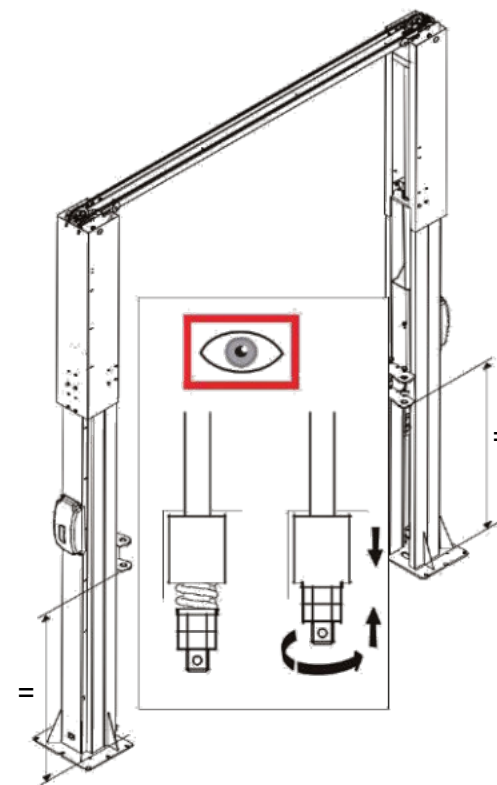
- Fill the power pack **C** with oil;
- Perform a rise maneuver, so as to make the carriages reach the maximum height to fix and tension the cable.

NB:
It is recommended to perform correct tensioning by acting alternately on the columns about 10 mm at a time, until the complete compression of the spring.

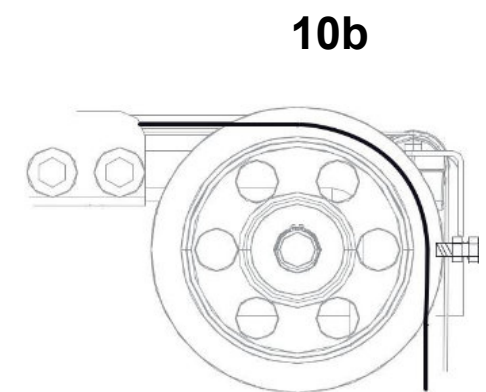
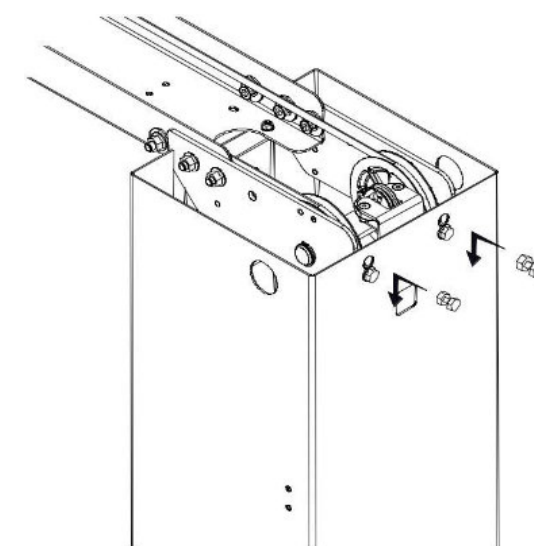
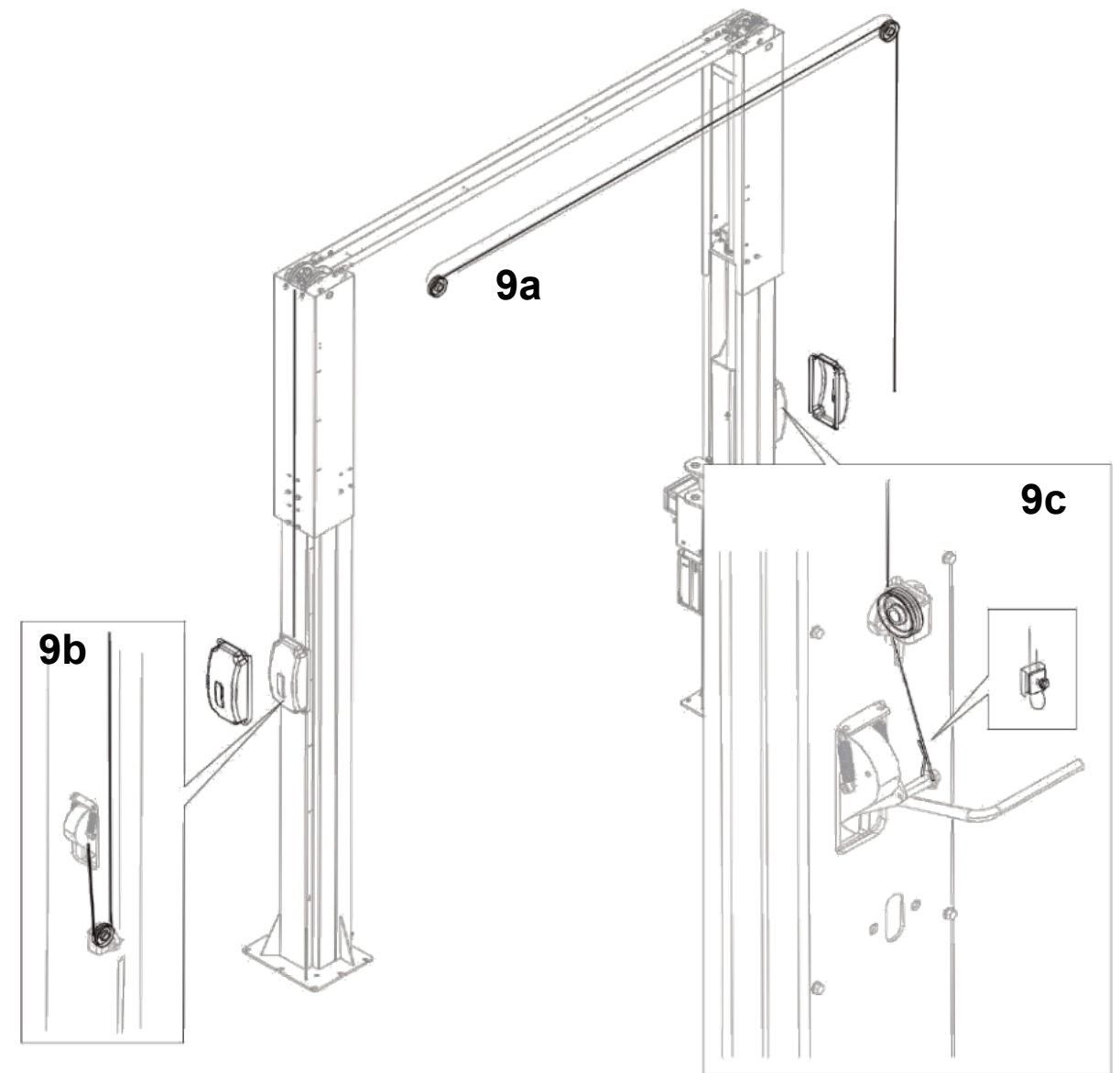
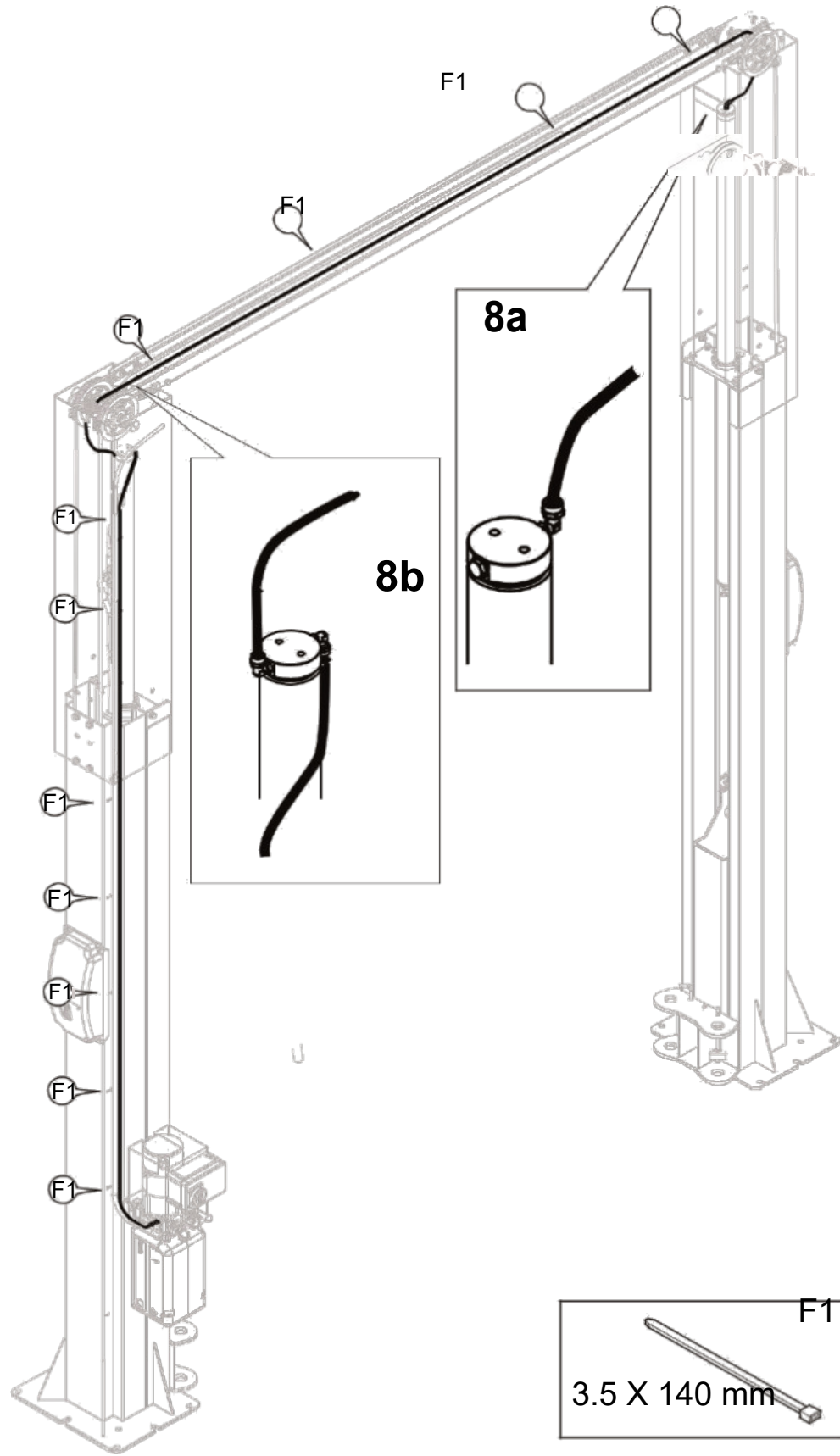
Make 2 or 3 idle runs up and down, and make sure the carriages are at the same height, otherwise act on the adjusting screws to obtain the proper alignment of the carriages.



7b

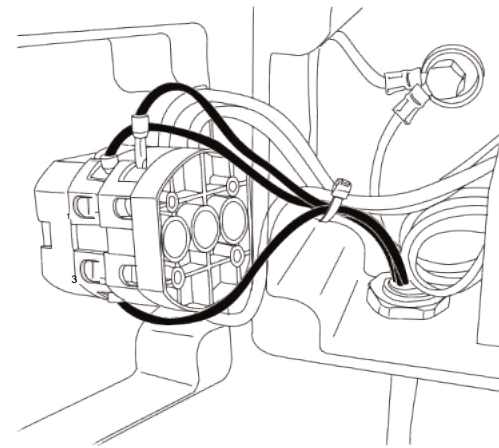
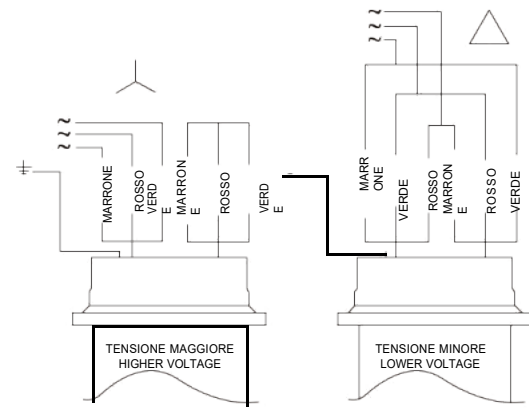


7c



Any work done on electrical parts, including minor jobs, must be carried out by specialised engineers.

**SCHEMA 3PH
MOTOR CONNECTION**



FUSES

400V 50Hz - 380V 60Hz - 10A

7.4 Voltage check

Check that the voltage of the system corresponds to the mains voltage. If not, contact the service center.

7.5 Connecting up to the mains

Any work involving the electric system-no matter how minor - is the job of specifically trained personnel.

The minimum capacity required is: cable cross-section 4G 2.5 sq. mm.

If in doubt, stop installation and call technical service. Also check that there is an automatic circuit breaker installed upstream, to safeguard against overloads, fitted with 30mA protection.

Press the power cable through the cable guide and connect the wires to terminals 1-3-5 for the three-phase version and 1-3 for the single-phase version (see illustrations on the side).

7.6 Phase sequence check

Turn the main switch to lift. If no carriage has moved after 10-15 seconds, it means that the motor might be running in the wrong direction. If so, reverse two power cables.

7.7 Completion and check

- Fit the long arms
- Fit the short arms
- Run a few load less strokes up and down to drain any air from the circuit.

NOTE:

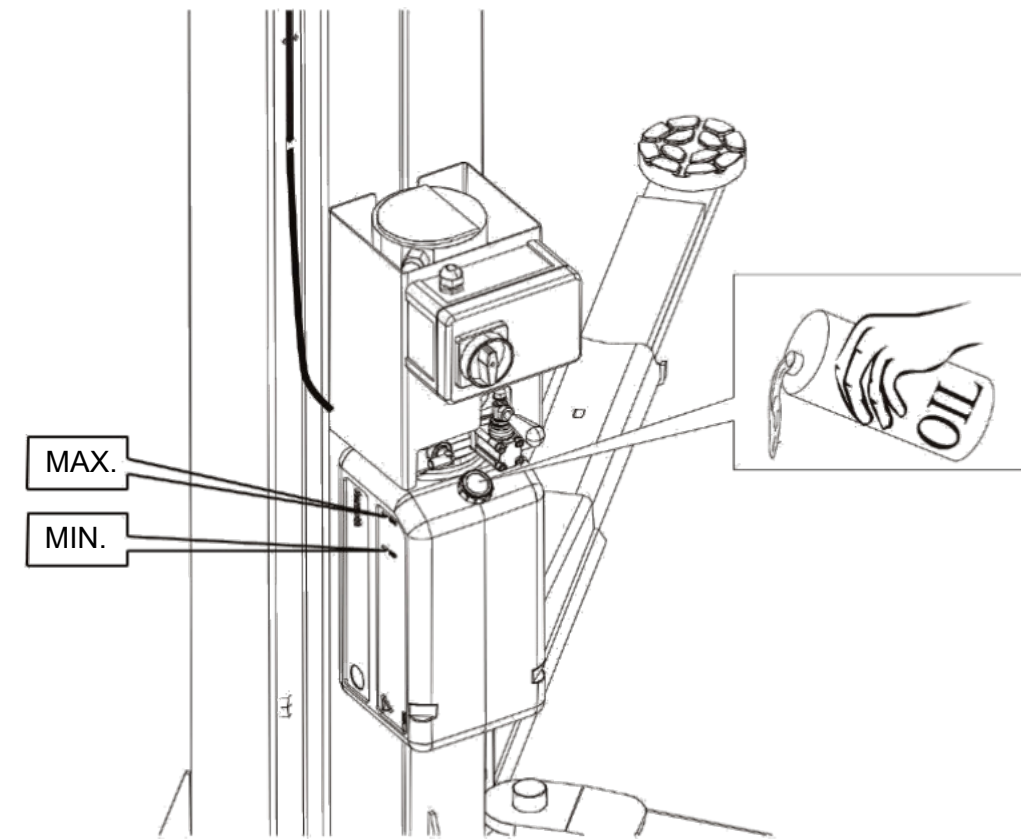
Irregular motion, especially during downwards movement, is a sign of air in the hydraulic circuit.

Allow several minutes and run more load less strokes. Repeat until motion becomes smooth again.

Should the problem persist, follow instructions given on page 43 "AIR BLEEDING".

7.8 Arm stop

Once the lift is down, make sure that the arm can move freely.



7.9 Checking the oil level

Check that oil level in the control unit tank is at the mark A when the lift is fully down. If not, top up with ESSO Huto H32 oil or equally rated oil.

7.10 Air bleeding out the hydraulic circuit

■ Carry out some idle strokes to allow air blowing out the hydraulic system.

7.11 Dismantling

■ Any dismantling operations performed in order to move, store or scrap the machine must be done in the reverse sequence to that followed for installation.

8. INSTRUCTIONS FOR USING THE LIFT

8.1 Improper use of the lift

The lift is designed for lifting vehicles with the specifications described in the "Technical Details" and in the section "Intended use". Any other use is to be considered unsuitable and unreasonable. In particular, the following situations are absolutely prohibited:

- 1) lifting people or animals;
- 2) lifting vehicles with people inside;
- 3) lifting vehicles containing potentially dangerous materials carried (explosives, corrosives, inflammable substances etc).
- 4) lifting vehicles not positioned on the pickup points
- 5) lifting vehicles with accessories not envisaged by the manufacturer
- 6) use of the lift by staff who are not adequately trained and authorised

8.2 Use of accessories

The lift may be used with accessories to facilitate the work of the operator. Only original accessories made by the manufacturer may be used.

8.3 Staff training

The equipment may only be operated by specially trained and authorised staff. To ensure that the machine is used in the best possible way and that the work can be out efficiently, the staff responsible for the machine must be properly trained to handle the necessary information in order to achieve an operative method in line with the instructions supplied by the manufacturer. For any doubts concerning use and maintenance of the machine refer to the instructions manual and, if necessary, authorised technical service centres or the manufacturer, technical service department.

8.4 Important checks to be made

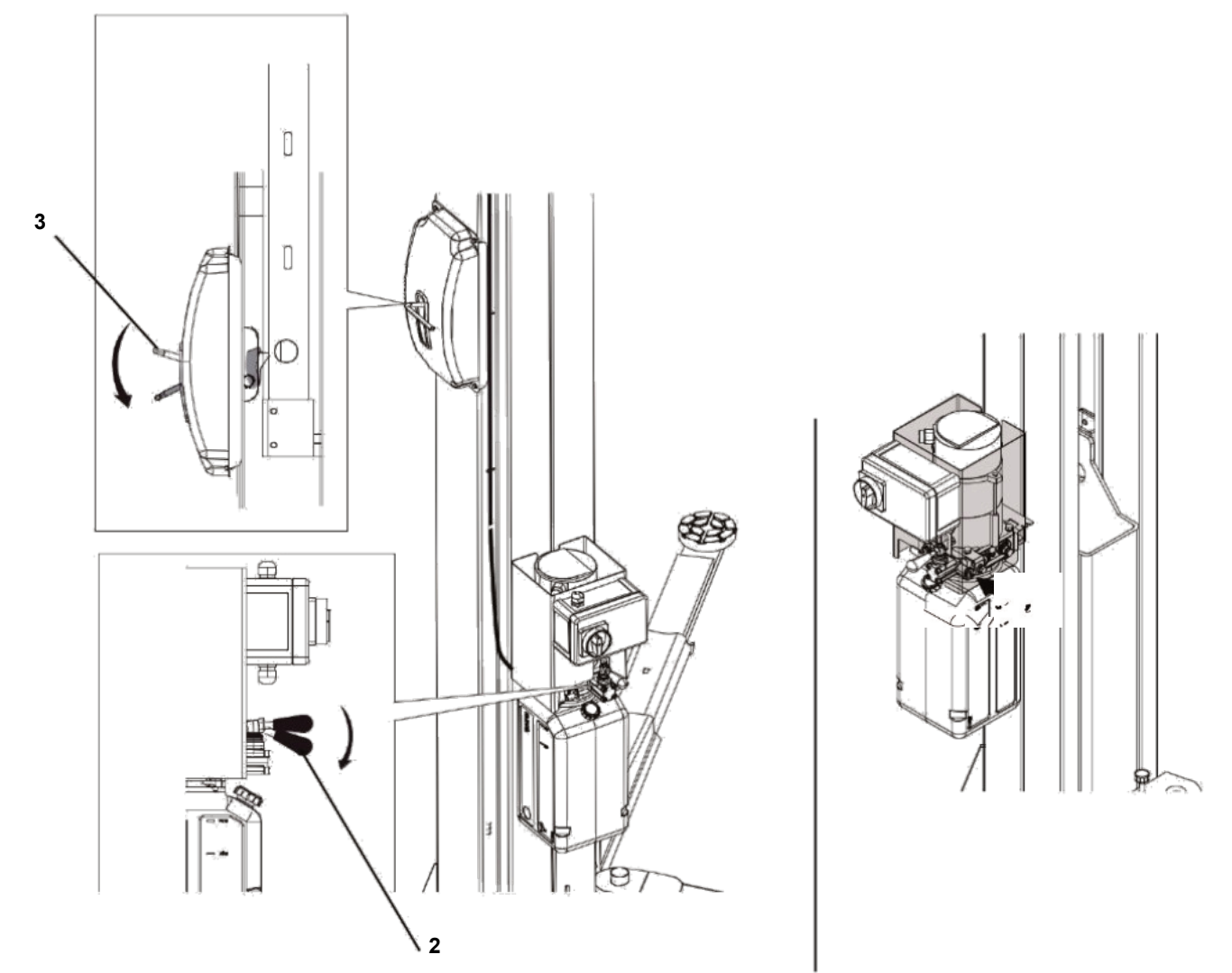
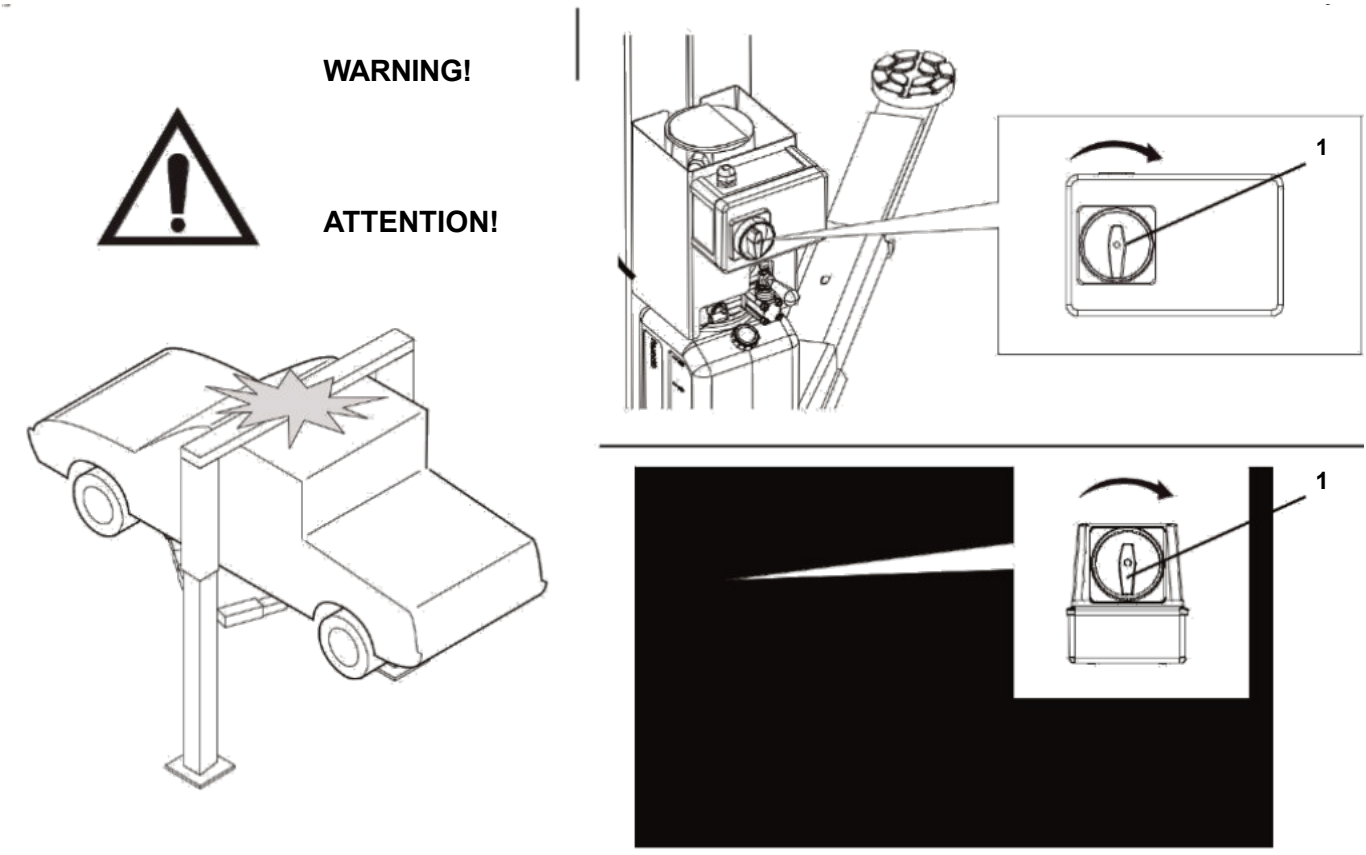
■ Check that dangerous situations do not occur while work is being carried out. Stop the machine immediately if any operation problems are noticed and contact the authorised dealer's technical service.

■ Check that the work area around the machine is free from potentially dangerous objects and that oil (or other greasy liquid) has not been split on the floor, causing potential danger to the operator.

■ The operator must wear suitable work clothing, safety goggles, gloves and mask to avoid damage caused by dust or impurities, dangling objects such as bracelets or such like must not be worn, long hair must be tied back, shoes must be suitable for the work to be done.

■ Check that dismantling of the part of the vehicle does not alter the load distribution beyond pre-set acceptable limits.

■ Turn the mains switch to zero when work is done on the lifted vehicle.



8.5 Description and function of controls

Operate the controls on the electrical box:

UP: Turn the main control switch (1) clockwise for upward movement (instable switch).

DOWNSTROKE: Turn the lever (2) on the power unit downwards.

WARNING:

Should the lift not move down, the carriage may rests on the safety mechanical device. Activate the rise movement to release the lift from the mechanical stop. Manually release the mechanical block, by acting on the handle (3) (downwards). Keep the handle pressed and simultaneously repeat the downward manouvre by acting on the lever (2), until the lift reaches the ground completely.

OFF: Control reverser in "0" position.

8.6 Emergency procedure: emergency drop with power off

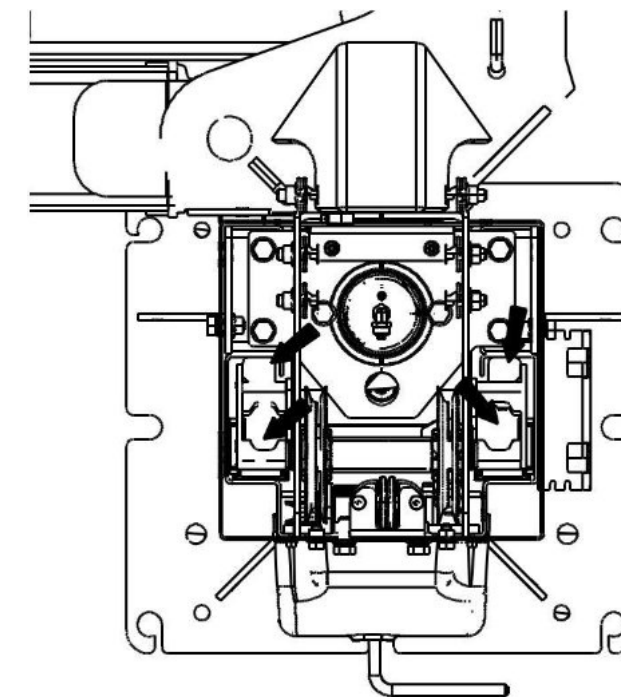
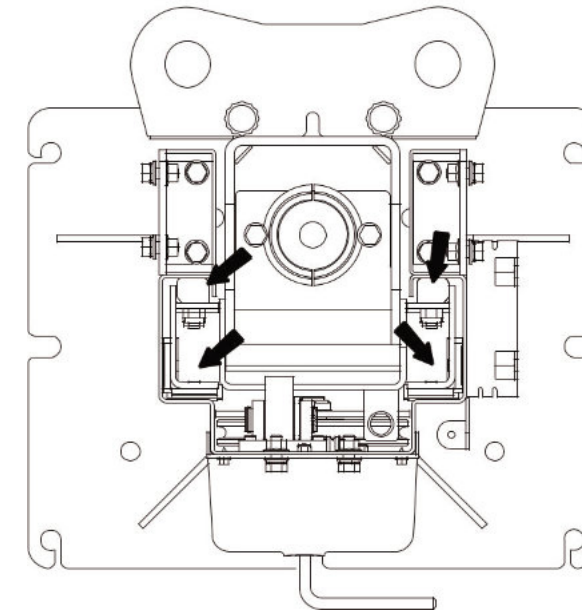
Turn the lever (2) on the power unit downwards. Should the lift not move down, apply a hydraulic pump to the power unit (4) of the lift.

Act on the pump and perform a lisgt manouvre upward, so as to release the lift from the mechanical stop. Keep the handle pressed and simultaneously repeat the downward manouvre by acting on the lever (2), until the lifter reaches the ground completely.

9. TROUBLESHOOTING

Certain problems which may arise while using the lift are listed below. The manufacturer cannot accept any liability for injury to people or animals and damage to things caused by unauthorised staff using the equipment. In the event of faults, you are advised to contact the technical service department in good time to receive advice about how to carry out work and/or adjustments in maximum safety conditions, thus avoiding the risk of injury to people or animals and damage to things.

PROBLEM PROCEDURE	CAUSE	REMEDY
Nothing happens	Main safety fuses broken	Replace
	Magnetic-thermal switch OFF	Reset magnetic-thermal switch
	Fault in electrical system	Control
Lifting run is not completed	Load exceeding nominal capacity	
	Mains voltage too low	Check
	Insufficient oil in control unit	Top up (sect. 6.9)
Lift run not smooth	Air in the hydraulic circuit	Make air blow out the hydraulic circuit
No descent movement	Drain valve jammed	Check
	Hoist cable for mechanical rest broken or slack	Check and replace
Irregular upstokr and/or downstroke	Re-alignment rope slack	Tighten rope
	Friction between sliders and sliding guides	Clean the guides and lubricate



10. MAINTENANCE

Lock the main switch with a padlock before proceeding with maintenance.

CAUTION:

Moving mechanical parts. Guard removal at operator's risk.

10.1 Slideways

Lubricate sliding guides every 3 months with grease.

10.2 Cables and pulleys

Periodically check that cables feature no broken or damaged strands, pulleys are in good condition.

10.3 Checking oil level

Check oil level in the control unit.

10.4 Checking the safety catches

Make sure that the safety catch operates correctly and the steel cable is not damaged.

11. STORAGE

In the event of the lift having to be stored for long periods, disconnect the power supply, empty the tank/s containing liquids used for machine operation and protect any parts that might be damaged by dust.- Grease the parts that might be damaged by dryness. - When the machine is started again, replace the seals indicated in the spare parts section.

11.1 Scrapping

- If the decision is taken not to use this machine any longer, we advise making this inoperative.
- Modify any parts of the machine which could be dangerous, leaving it harmless.
- Sort parts according to disposal class.
- Dispose of as scrap and metal and take to an authorised scrap metal disposal centre.
- Special wastes must be sorted into uniform types, then disposed of through authorised channels.

INSTRUCTIONS FOR THE CORRECT MANAGEMENT OF WASTE FROM ELECTRIC AND ELECTRONIC EQUIPMENT (IN ITALIAN RAEE) ACCORDING TO LEGISLATIVE DECREE 49/14

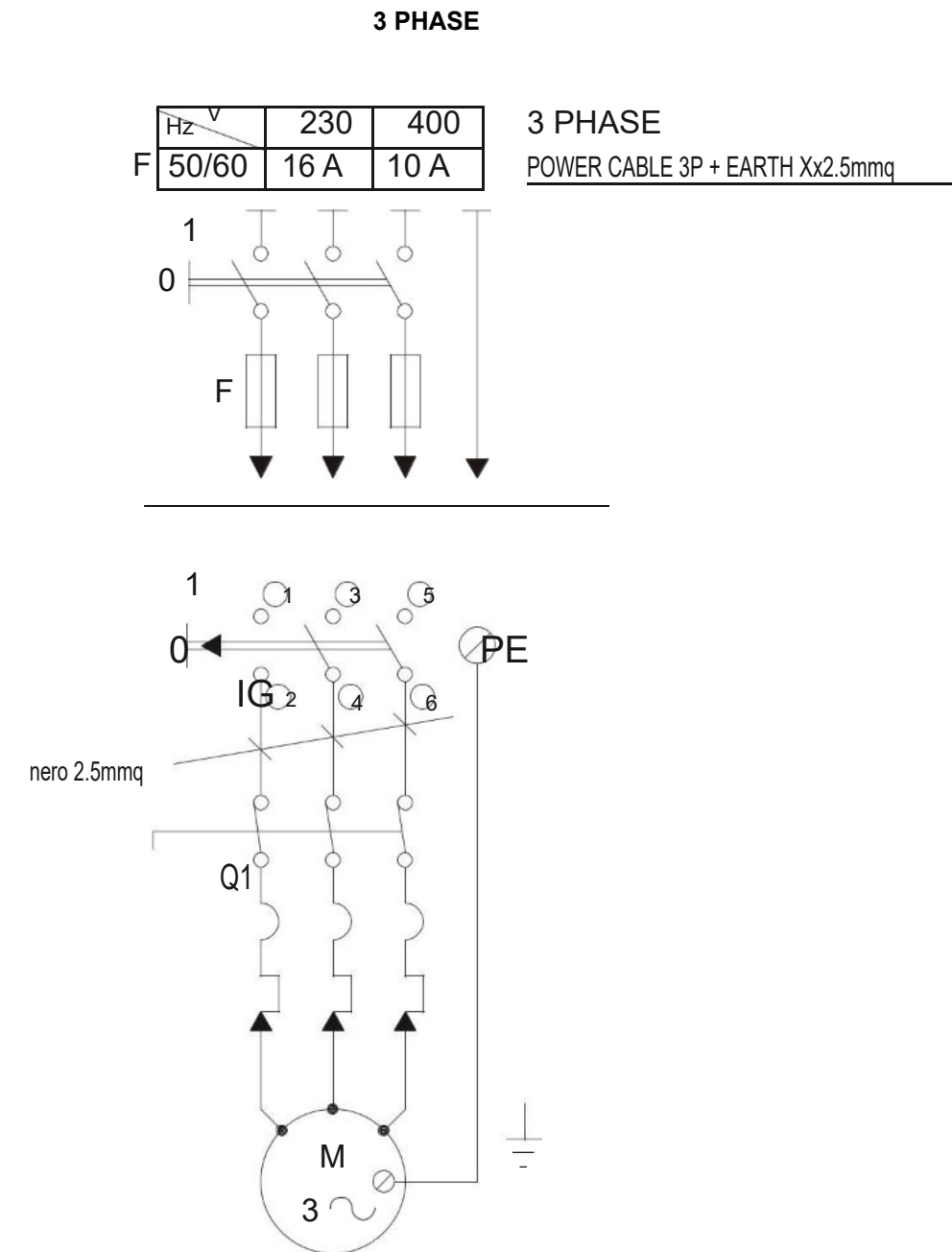
With the aim of informing the users on how to dispose of the product correctly (as provided in Article 26, paragraph 1 of Legislative Decree 49/2014), please note the following:



The crossed-out wheelie bin affixed to the device indicates that the product should not be disposed of as regular waste (together with "mixed urban waste"), but it should be managed separately in order to subject WEEE to specific operations aimed at reusing or treating them, and remove and dispose of safely any substances that are harmful for environment and recycle raw materials that can be reused."

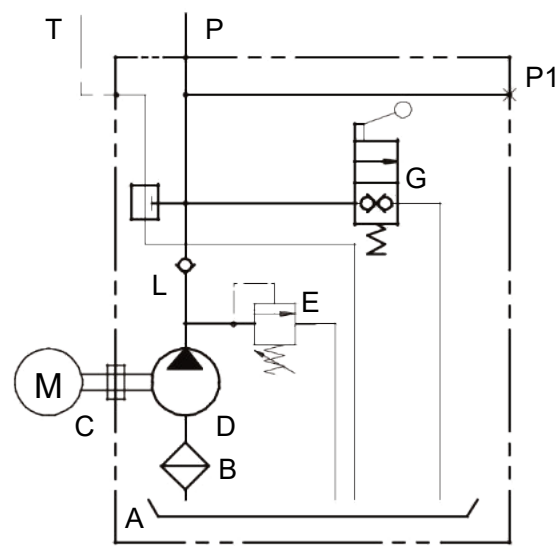
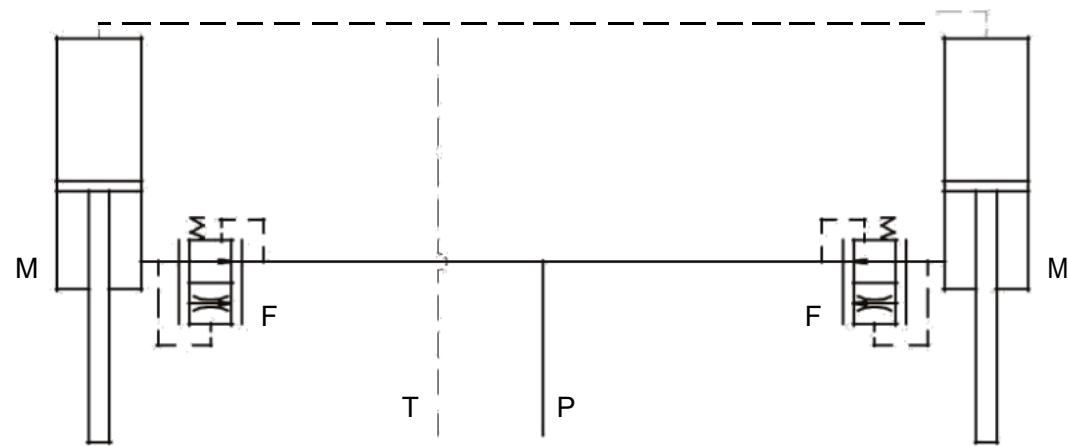
12. ELECTRICAL INSTALLATION

This installation is to be carried out by the user.

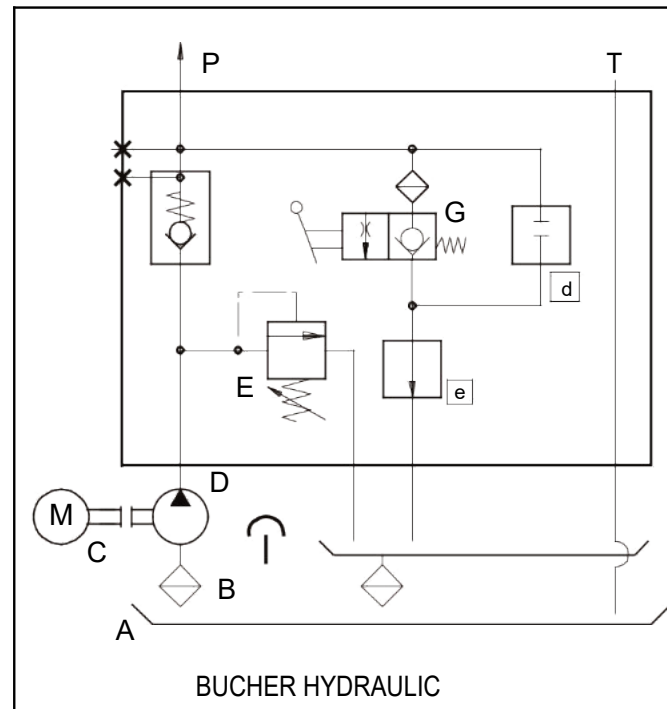


Q1	Magnet-thermal automatic switch 9-14A (version 230V) 6-10A (version 400V)
M	Motor
IG	Main Switch

13. HYDRAULIC SYSTEM



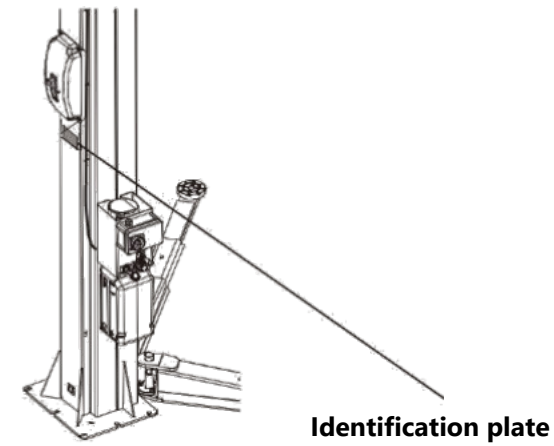
BOSCH REXROTH OIL CONTROL



BUCHER HYDRAULIC

A	Tank
B	Intake filter
C	Electric motor
D	Pump
E	Safety valve (p=180bar)
F	Down speed valve
G	Down speed valve
L	Down valve
M	Check valve
T	Cylinder relief

14. MACHINE IDENTIFICATION DATA



Identification plate

A	Manufacturer's Address
B	Capacity lift
C	Serial number
D	Year of manufacturer
E	Model
F	Manufacturer's brand

CAUTION:
Do not tamper with, carve, change or remove the identification plate; do not cover it with panels etc., since it must always be visible. Said plate must always be kept clean.

WARNING:
Should the plate be accidentally damaged (removed from the machine, damaged or even partially illegible) inform immediately the manufacturer.

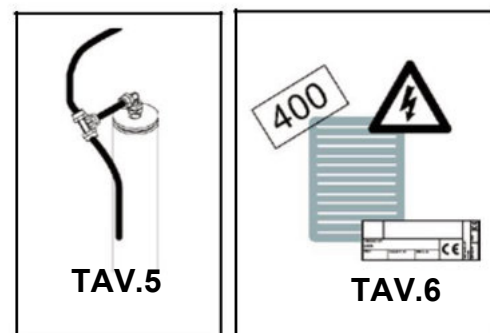
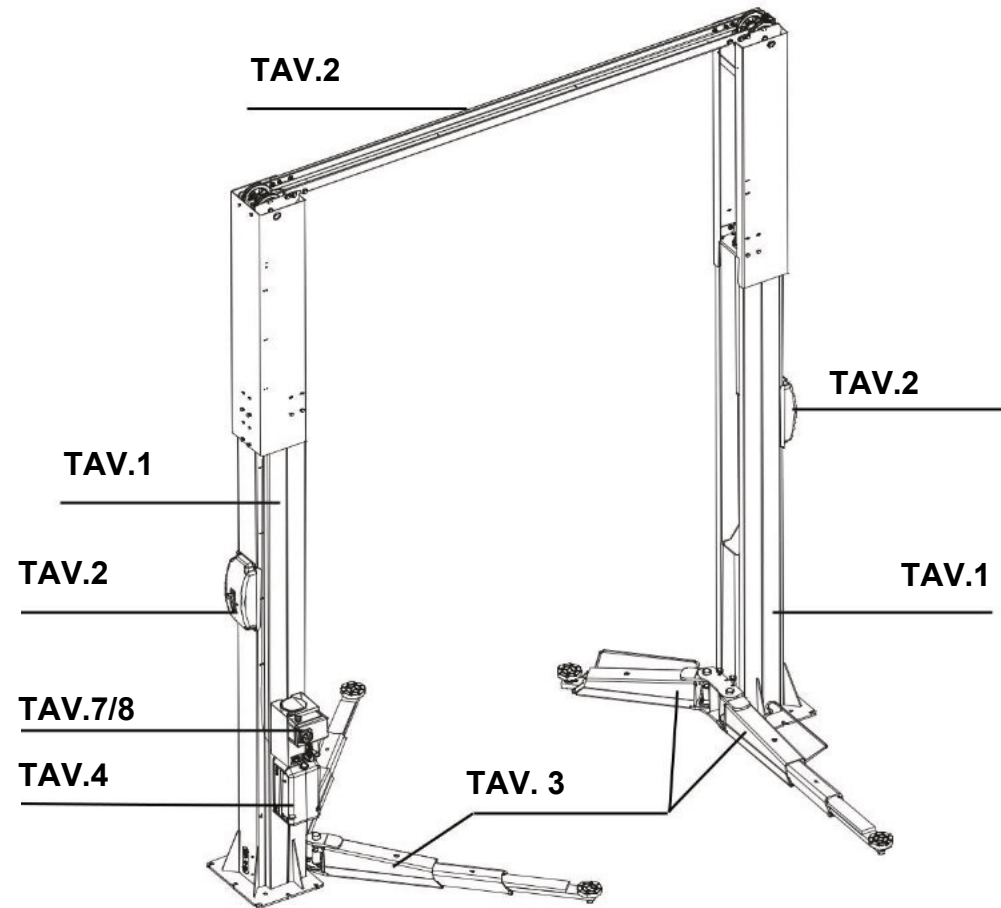
15. SPARE PARTS TABLES

WARNING!
For a correct handling of residual risks, pictograms are located on the machine to show the areas subject to risk during operation. These indications are supplied on self-sticking labels bearing an identification code.

IMPORTANT:
should the labels be lost or become illegible, please order replacements from the manufacturer and attach them as shown in the diagram in the following page (Tab. 10).

15.1 ILLUSTRATED SUMMARY

The figure and the following summary allow quick identification of machine main units and relevant tables for ordering spare parts.



15.2 COLUMN GROUP

Table no. / Change index

2/0

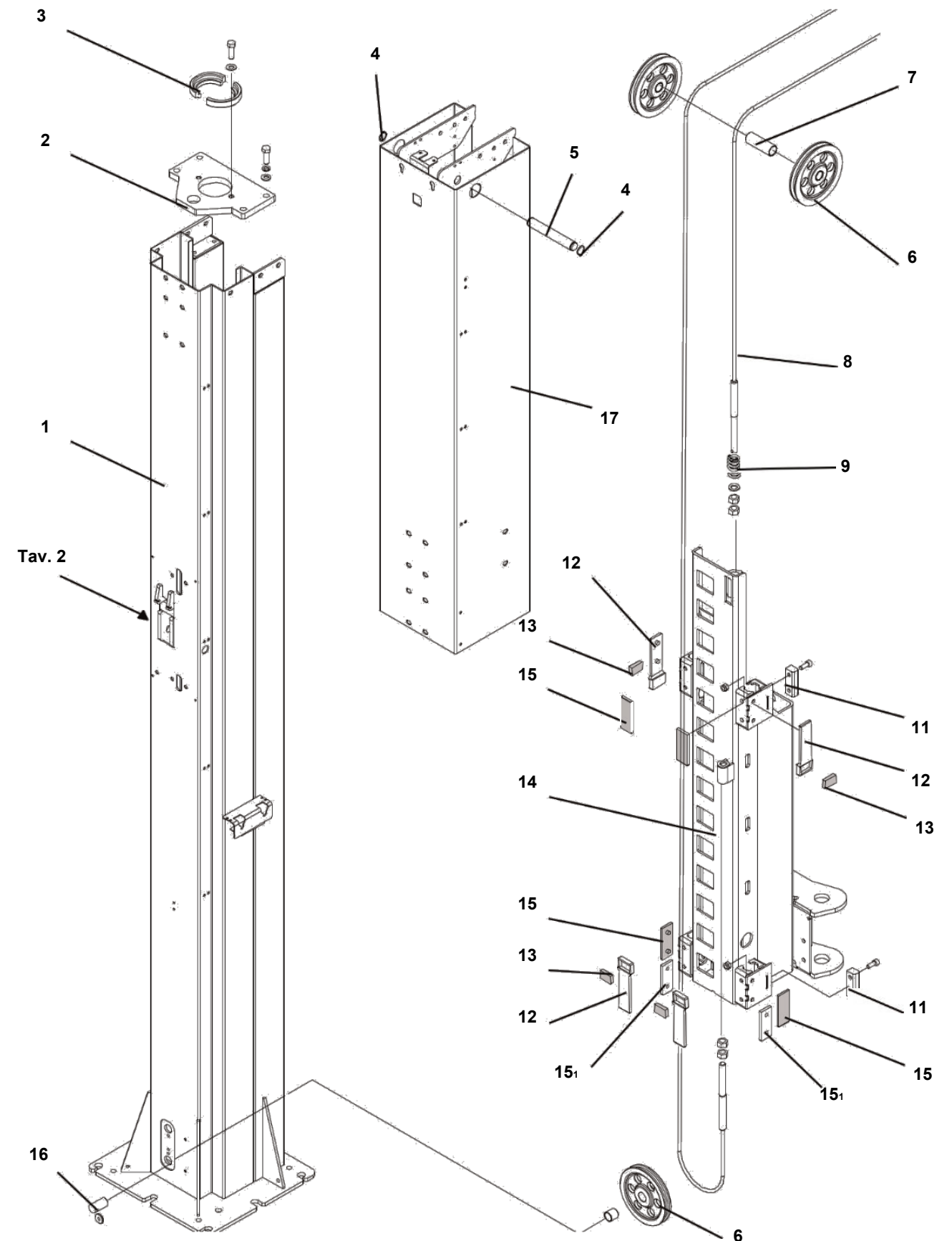


Table no. / Change index

COLUMN GROUP

2/0

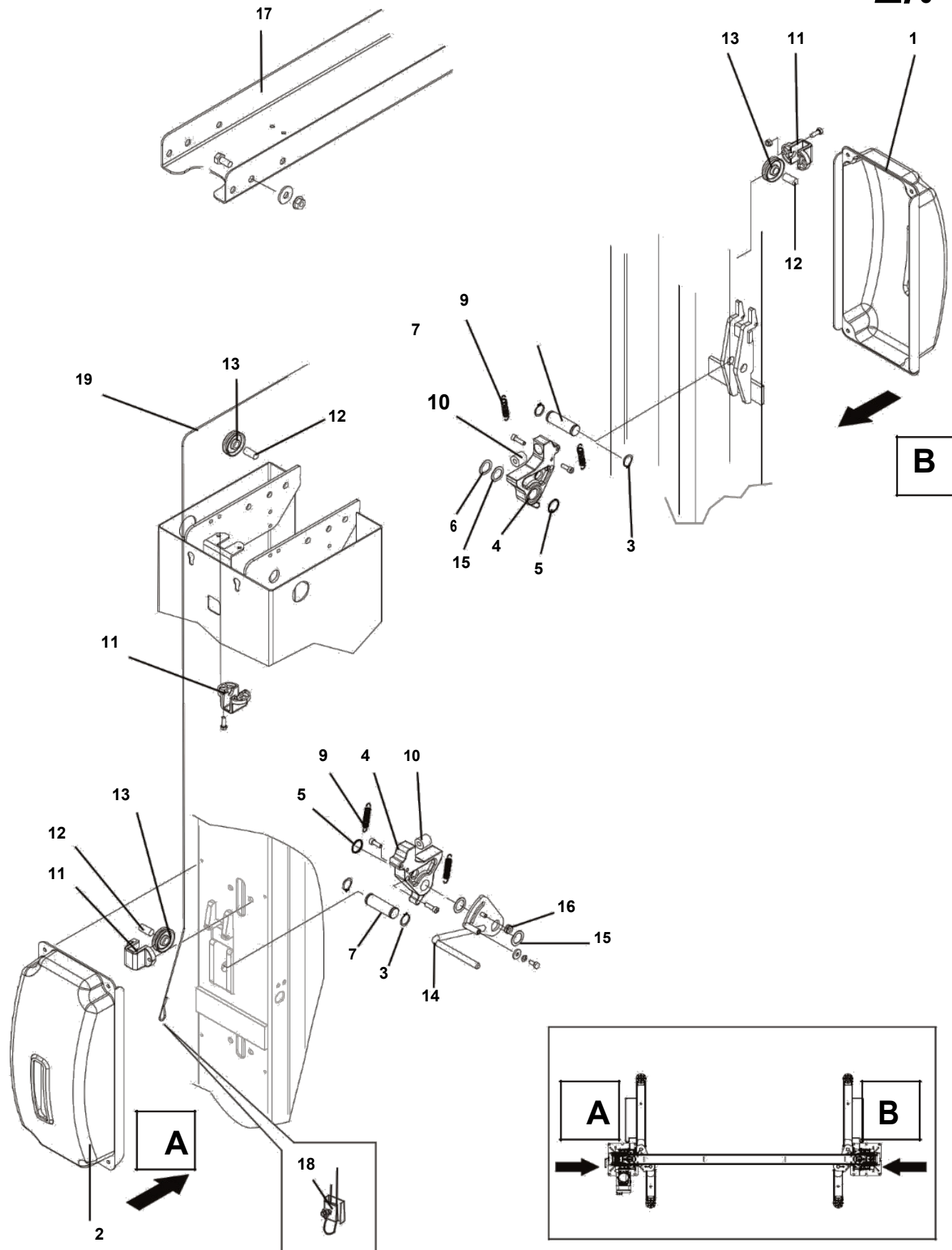
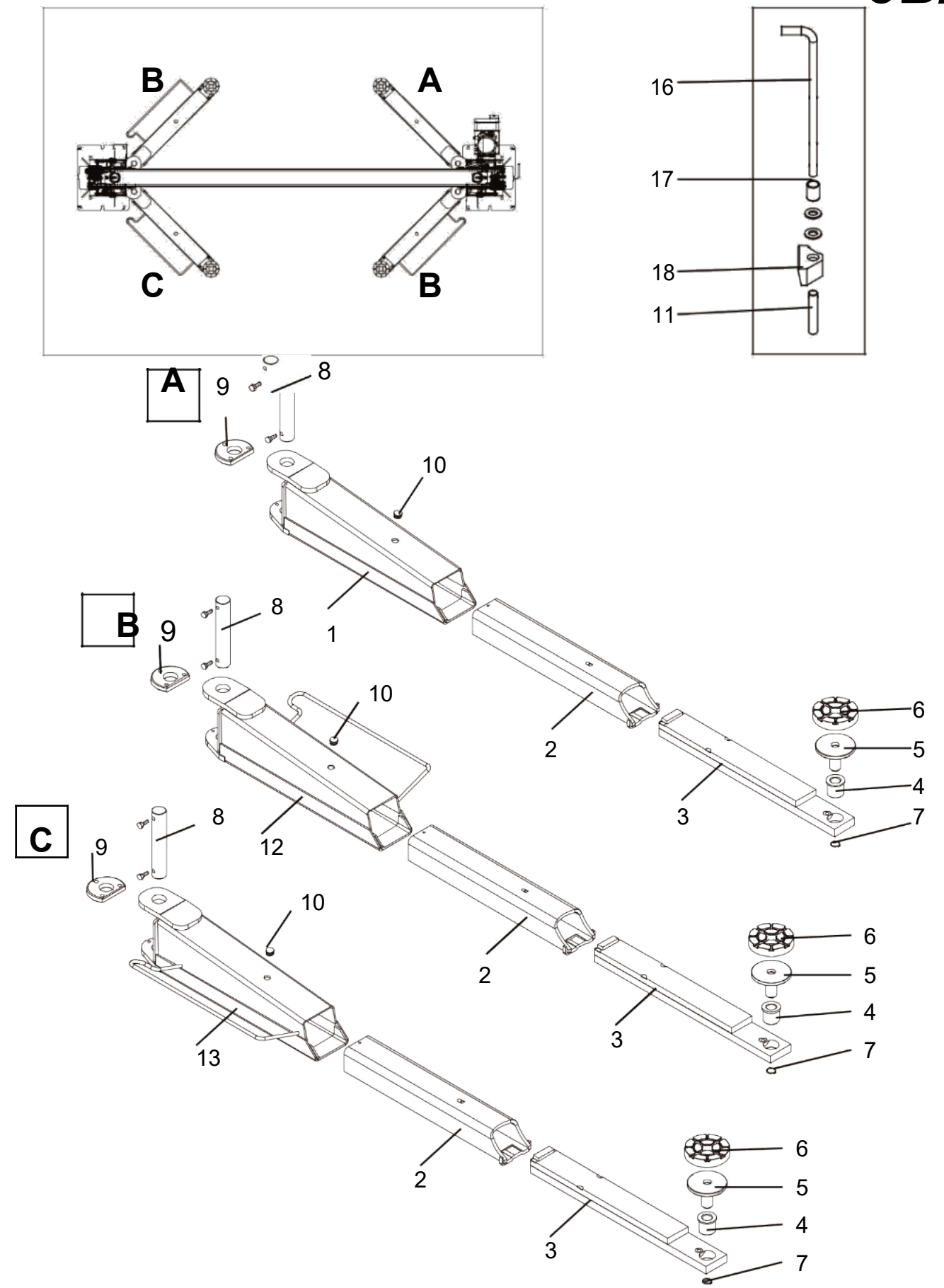


Table no. / Change index

15.3 LIFTING ARM UNIT

3B/0

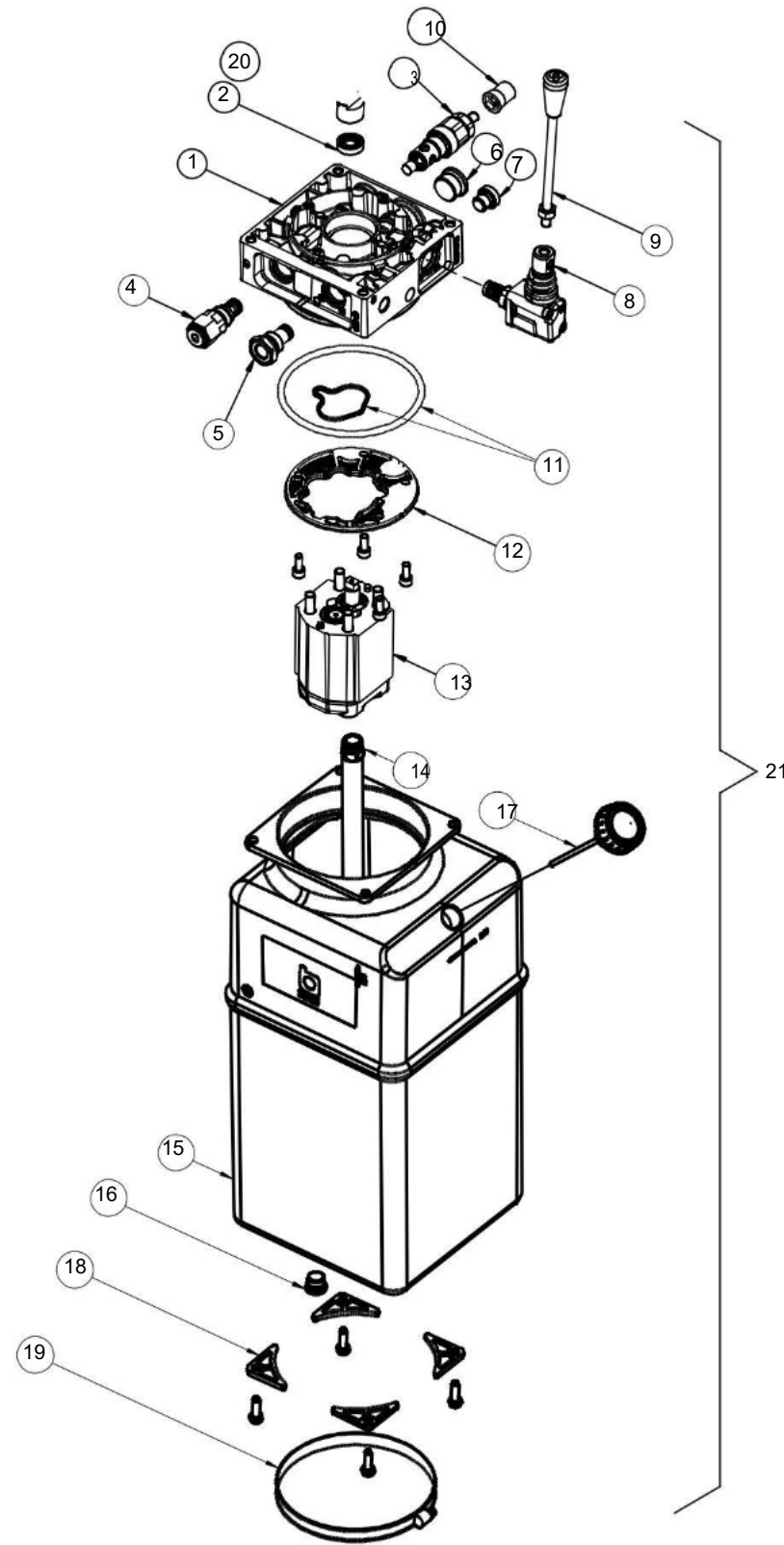


15.4 HYDRAULIC POWER PACK

400/3/50
Cod. 324357

Table no. / Change index

4A/0



16. HYDRAULIC SYSTEM TABLE DEFINITION

Table no. / Change index

5/0

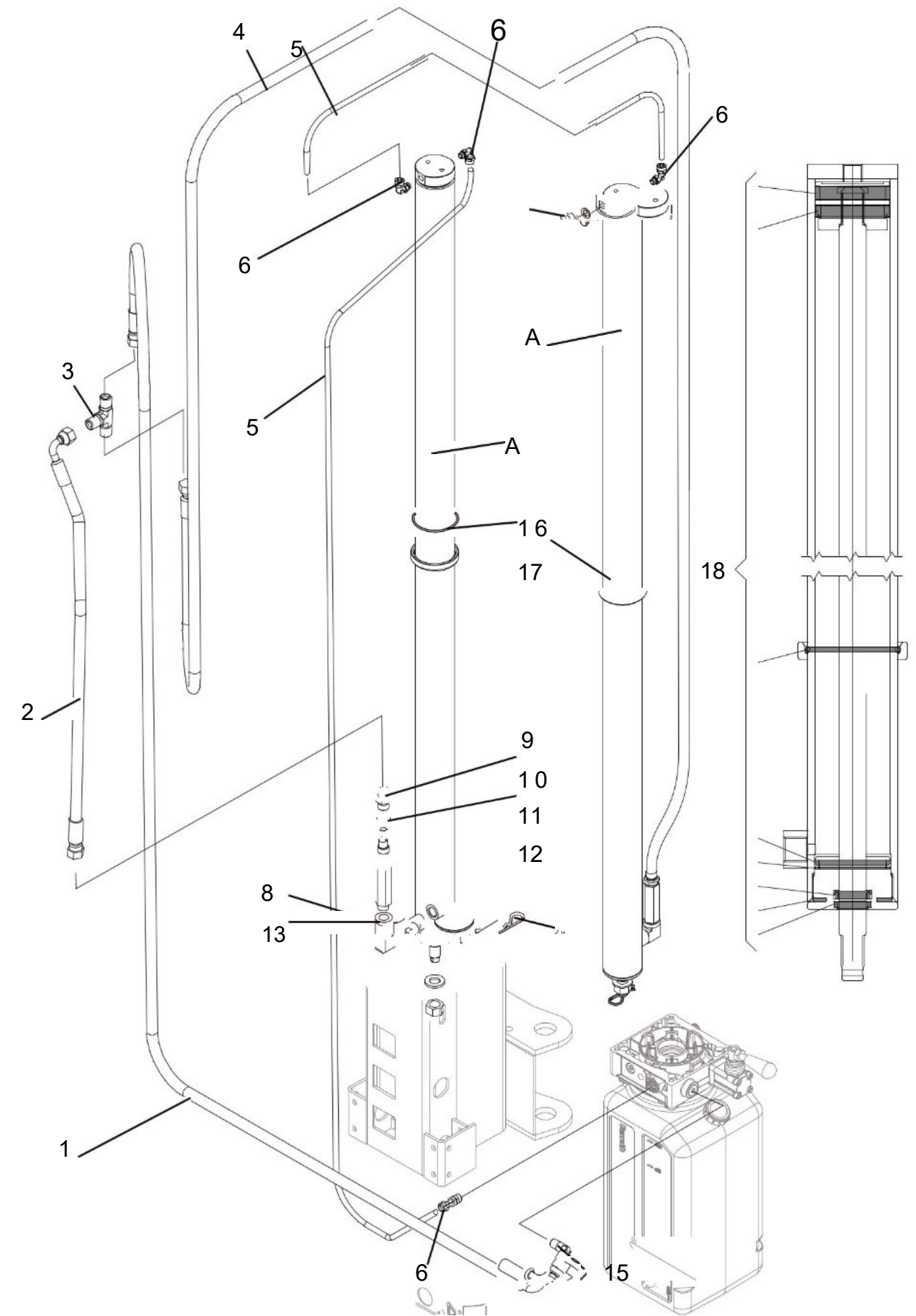


TABLE DEFINITION

Table no. / Change index

17. TABLE FOR LABELS AND DANGER WARNING DEVICES

6/0

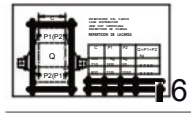


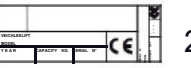

TABLE DEFINITION

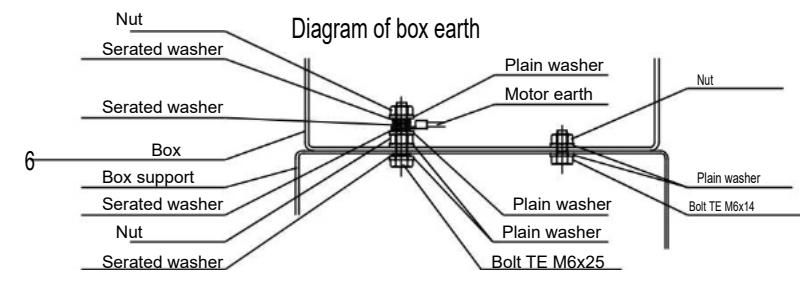
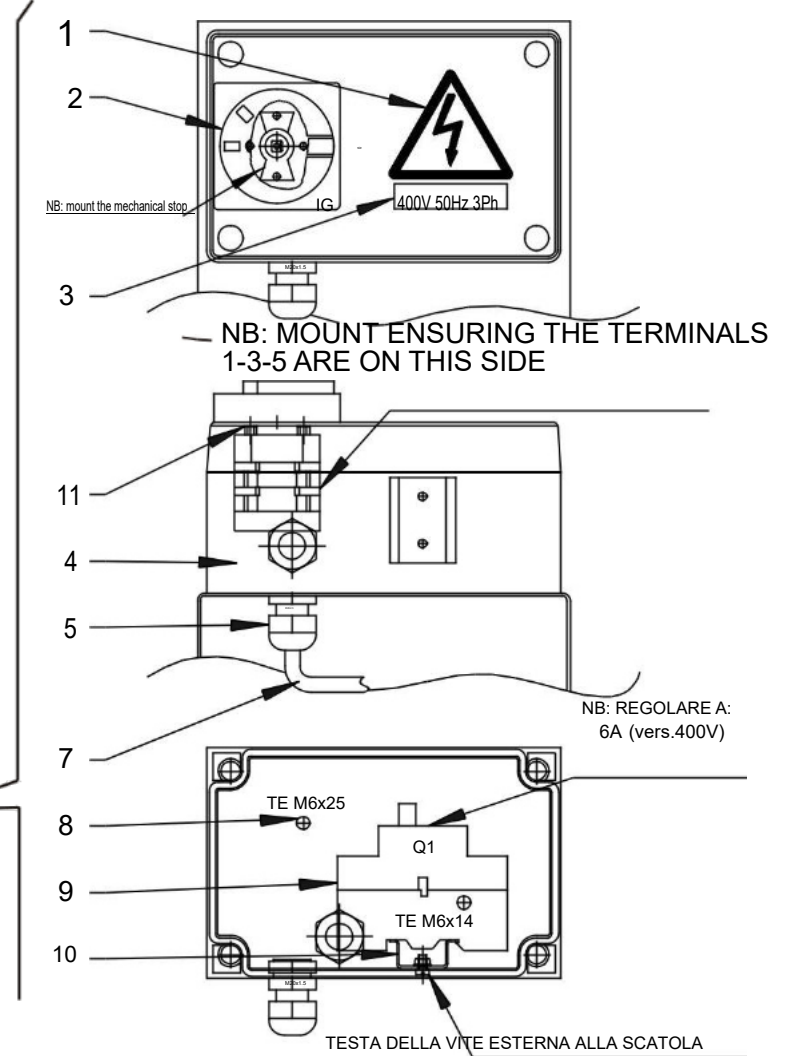
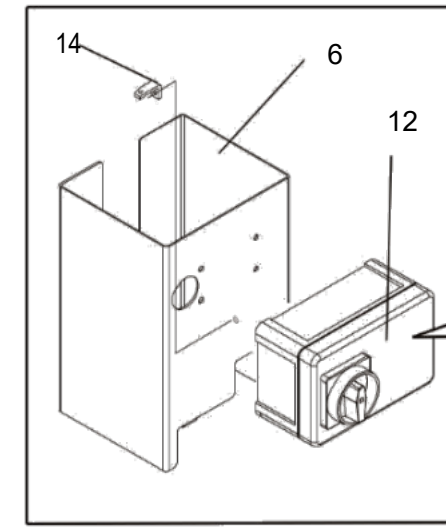
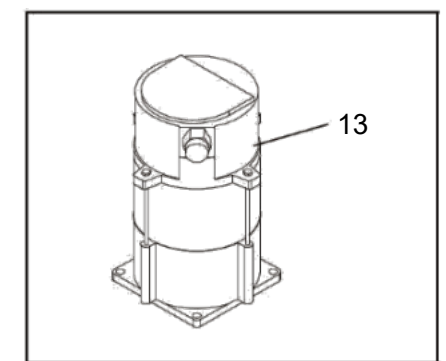
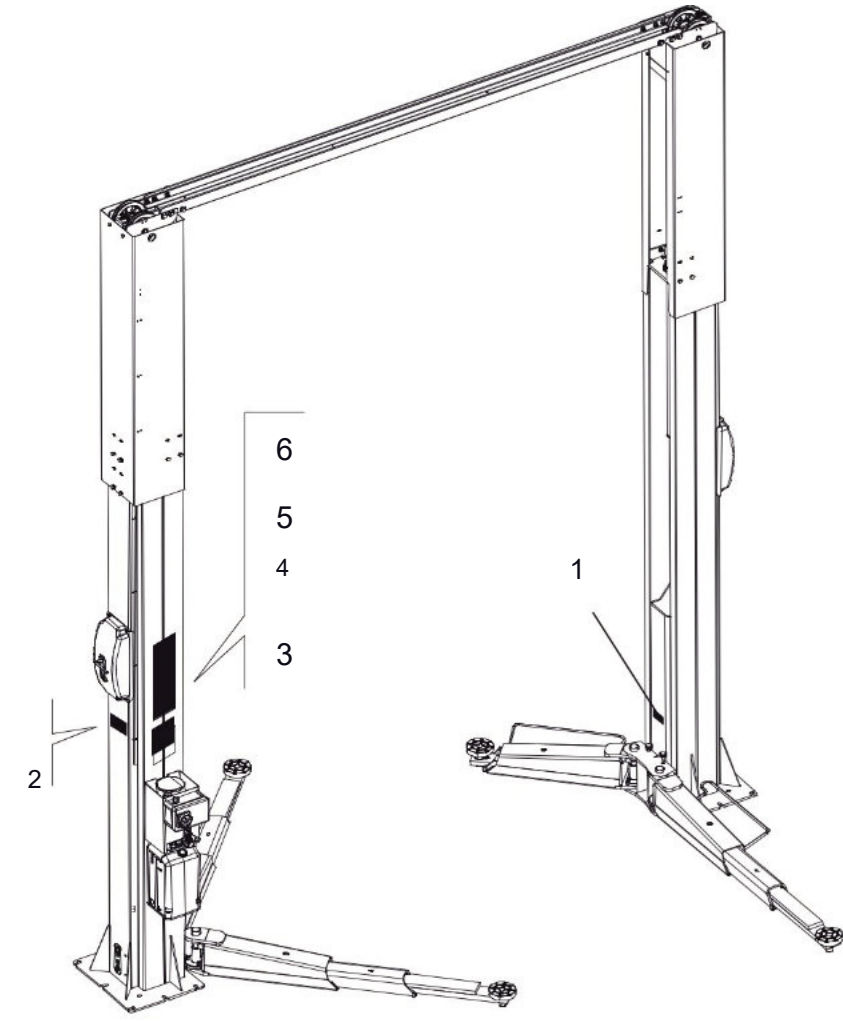
Table no. / Change index

18. ELECTRICAL SYSTEM

400/3/50

7/0

-  6
-  5
-  4
-  3
-  2
-  1



19. INSTALLATION REPORT

TO BE COMPLETED BY THE INSTALLER

- Power voltage check
- Main switch
- Up/down control
- Correct direction of motor rotation
- Control unit setting valve operation and seal inspection
- Downward movement valve inspection
- Tightening torque control of retention screws securing column to floor
- Telescopic arms correct sliding control
- Correct arm stop engagement and release control
- Screw lubrication device level control
- Slide guide lubrication control
- Foot guard devices exact position control
- Adhesive and adhesive position check

- Carrying Capacity _____
- Warnings _____
- Serial number _____

- Data of installation _____

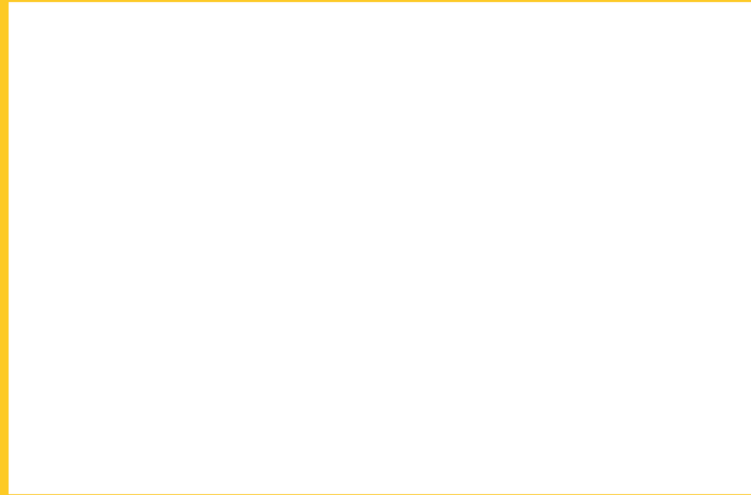
20. PERIODICAL VISIT

TO BE COMPLETED BY THE ENGINEER

Control Operation

	Date: _____ Engineer Name: _____	Date: _____ Engineer Name: _____	Date: _____ Engineer Name: _____	Date: _____ Engineer Name: _____
Main switch	<input type="checkbox"/>	<input type="checkbox"/>	<input type="checkbox"/>	<input type="checkbox"/>
Up/down control	<input type="checkbox"/>	<input type="checkbox"/>	<input type="checkbox"/>	<input type="checkbox"/>
Checking cable wear and tension	<input type="checkbox"/>	<input type="checkbox"/>	<input type="checkbox"/>	<input type="checkbox"/>
Control unit setting valve operation and seal inspection	<input type="checkbox"/>	<input type="checkbox"/>	<input type="checkbox"/>	<input type="checkbox"/>
Downward movement solenoid valve inspection	<input type="checkbox"/>	<input type="checkbox"/>	<input type="checkbox"/>	<input type="checkbox"/>
Tightening torque control of retention screws securing column to floor	<input type="checkbox"/>	<input type="checkbox"/>	<input type="checkbox"/>	<input type="checkbox"/>
Telescopic arms correct sliding control Correct arm stop engagement and release control	<input type="checkbox"/>	<input type="checkbox"/>	<input type="checkbox"/>	<input type="checkbox"/>
Screw lubrication device level control	<input type="checkbox"/>	<input type="checkbox"/>	<input type="checkbox"/>	<input type="checkbox"/>
Slide guide lubrication control	<input type="checkbox"/>	<input type="checkbox"/>	<input type="checkbox"/>	<input type="checkbox"/>
Foot guard devices exact position control	<input type="checkbox"/>	<input type="checkbox"/>	<input type="checkbox"/>	<input type="checkbox"/>
Adhesive and adhesive position check	<input type="checkbox"/>	<input type="checkbox"/>	<input type="checkbox"/>	<input type="checkbox"/>
Carrying Capacity _____				<input type="checkbox"/>
Warnings _____				<input type="checkbox"/>
Serial number _____				<input type="checkbox"/>

Continental Automotive Trading UK Ltd, 36 Gravelly Industrial Park, B24 8TA



E & O E. The Company reserves the right to introduce improvements in design or specification without prior notice.

The sale of this product is subject to our standard terms, conditions and relevant product warranty.