



Hand-hydraulic Jacking Beam

User Manual

JB320HS
JB326HS

325067 Iss 1



WARNINGS – Safe usage instructions

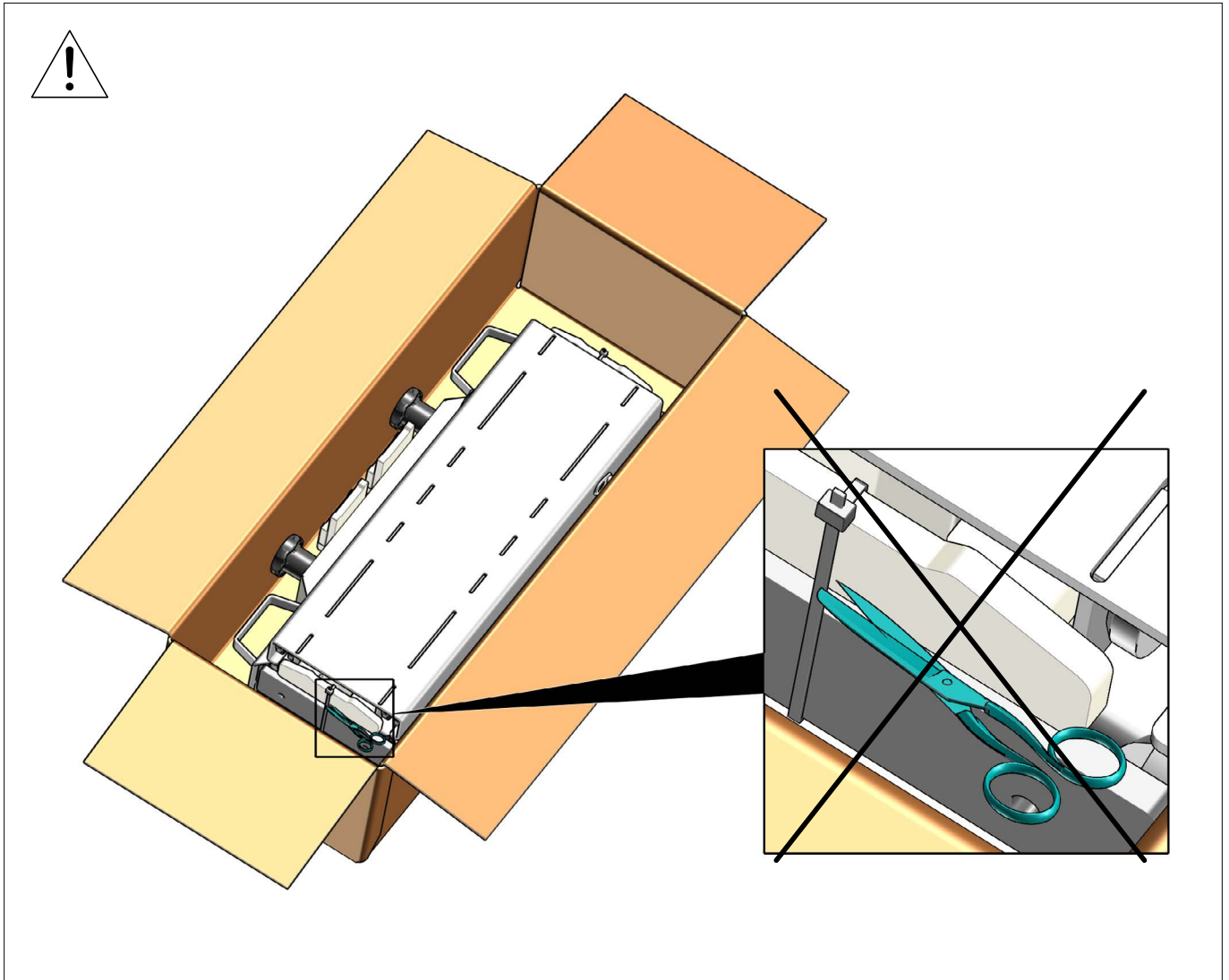


Fig.1

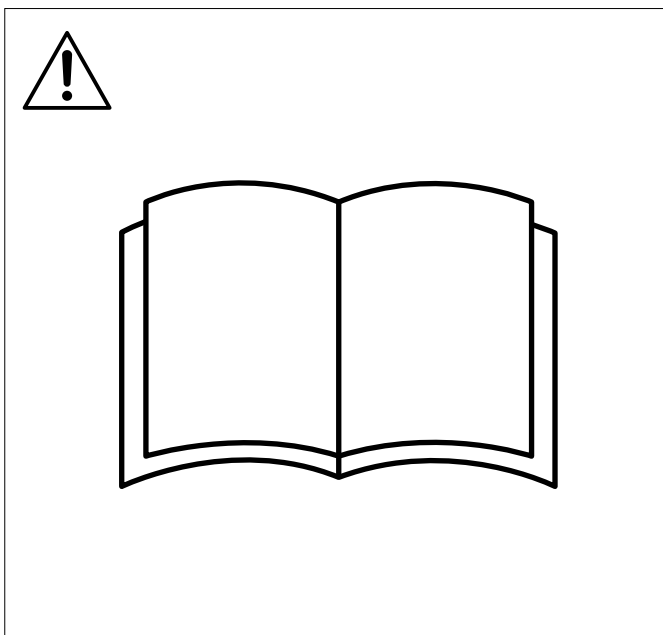


Fig.2

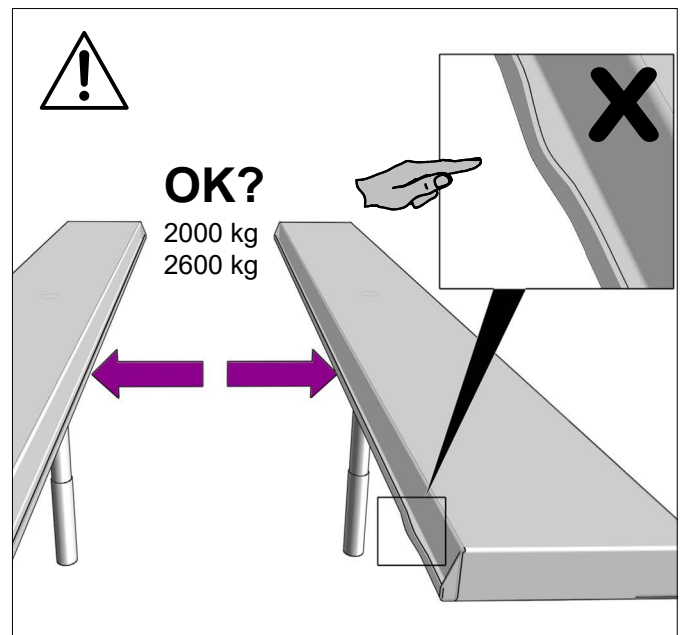


Fig.3

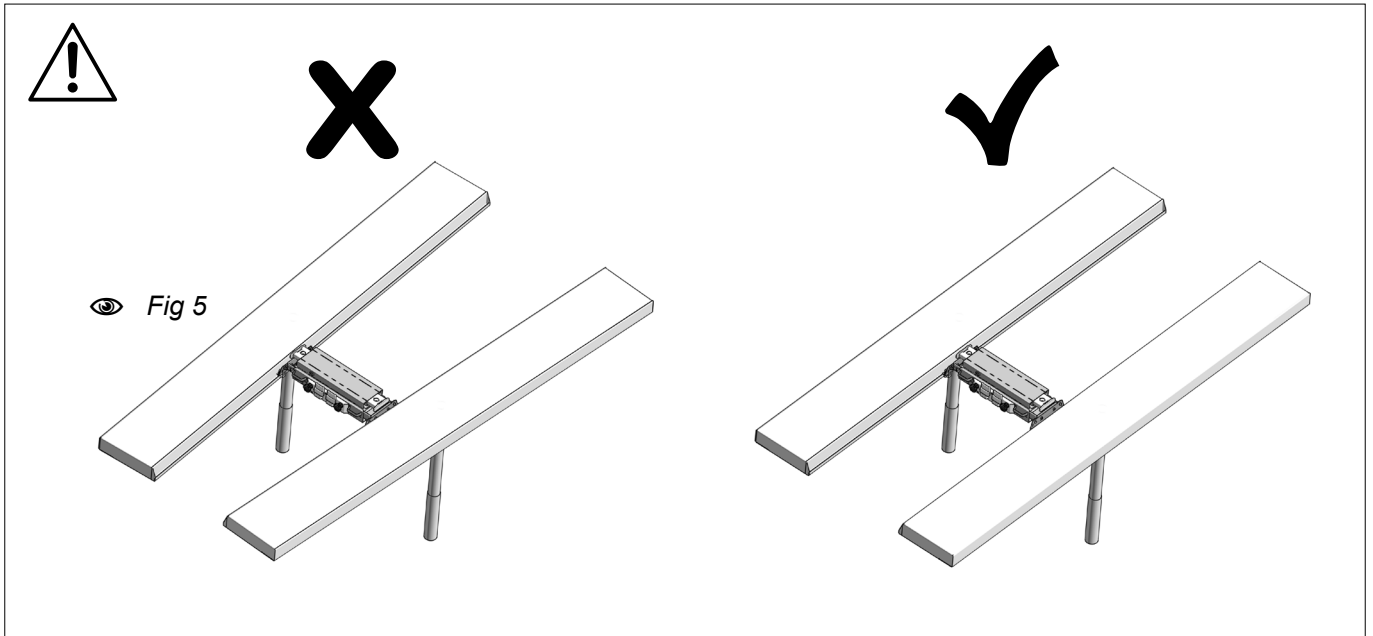


Fig.4

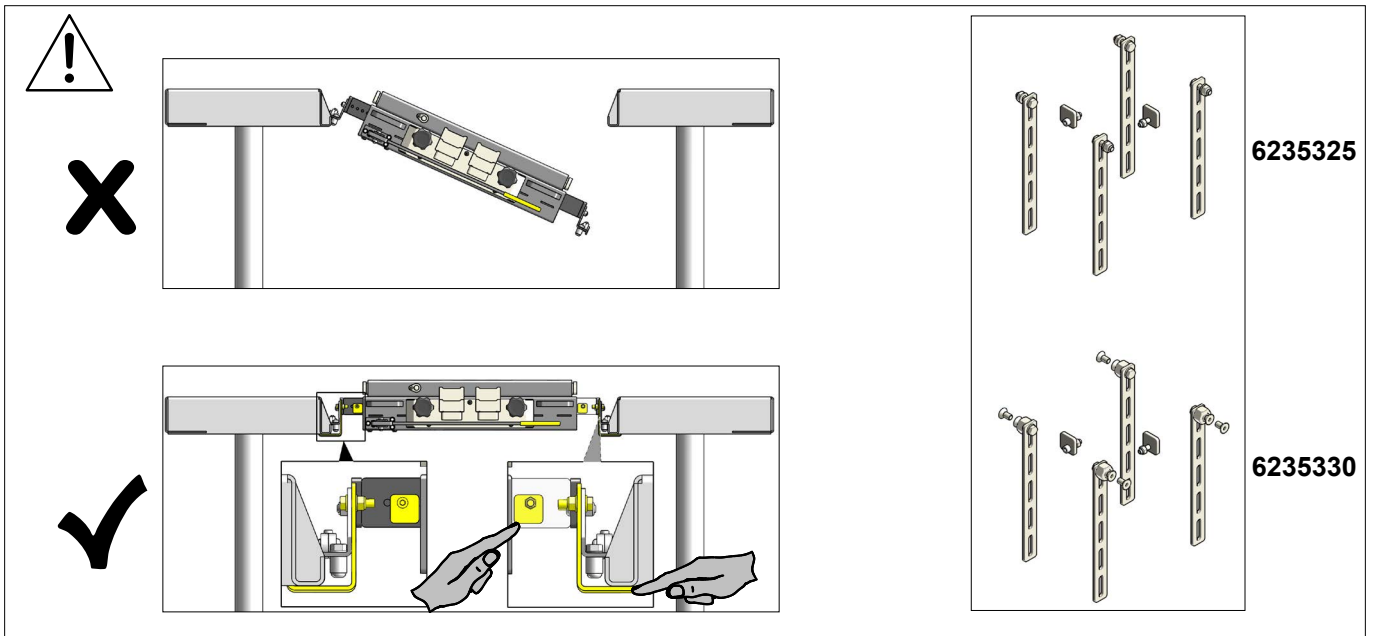
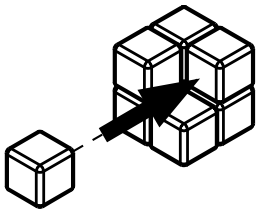


Fig.5



ASSEMBLY

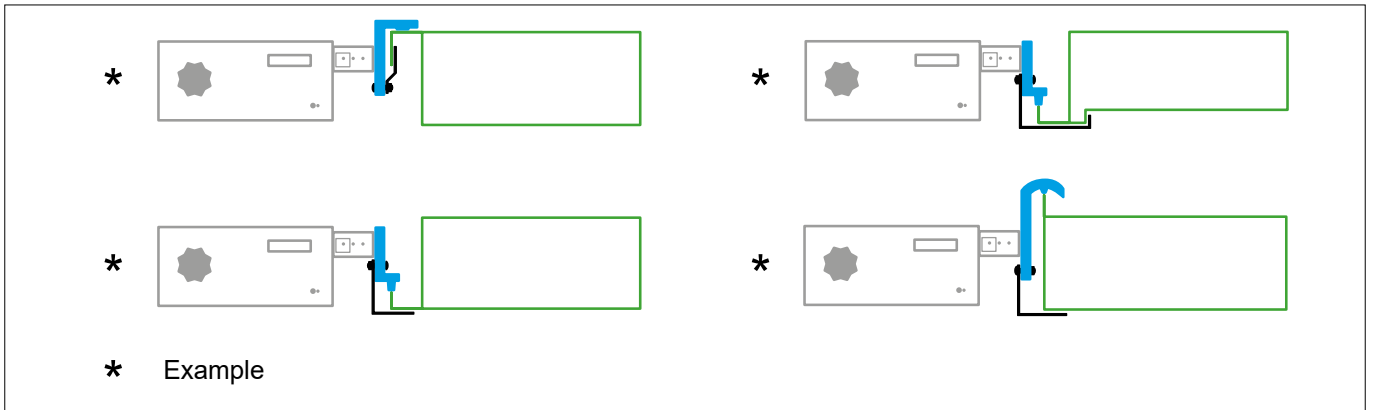


Fig.6

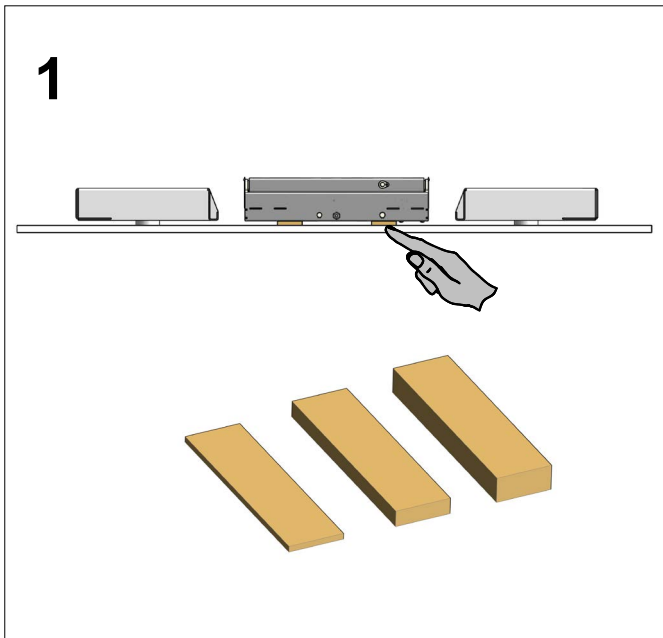


Fig.7

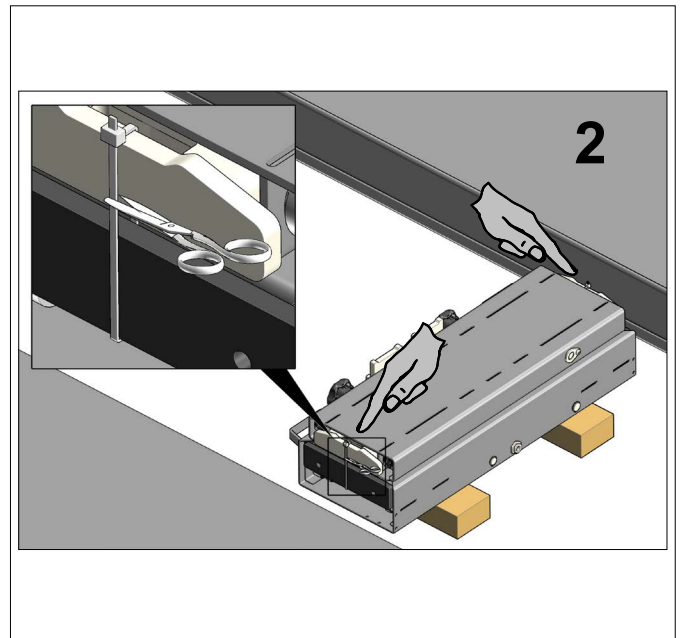


Fig.8

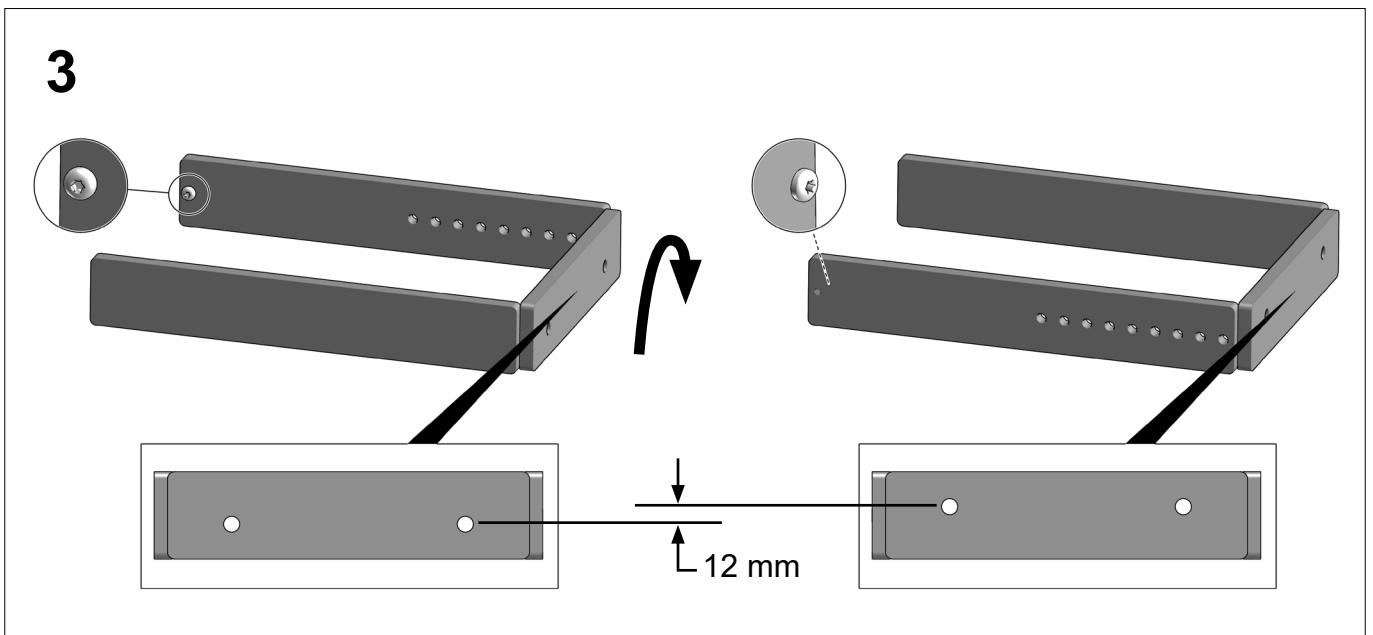


Fig.9

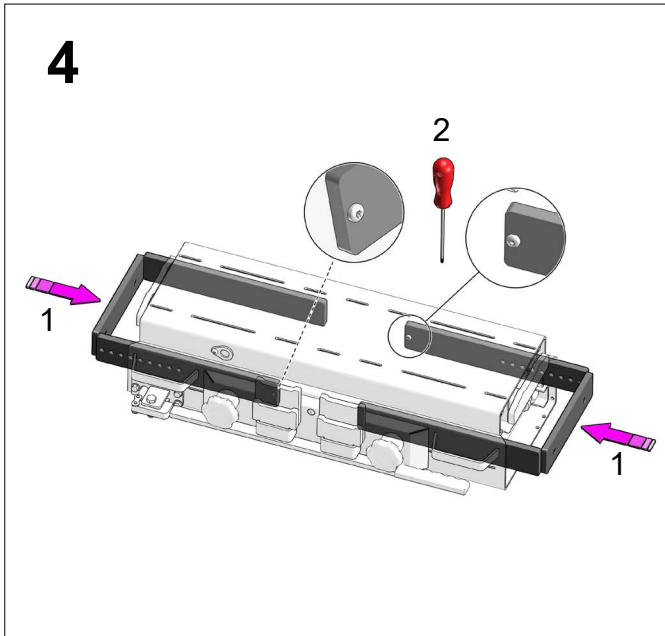


Fig. 10

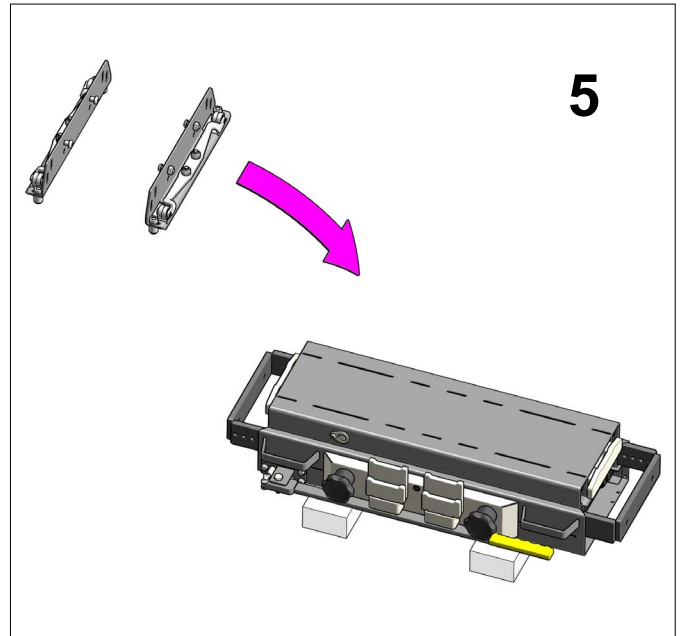


Fig. 11

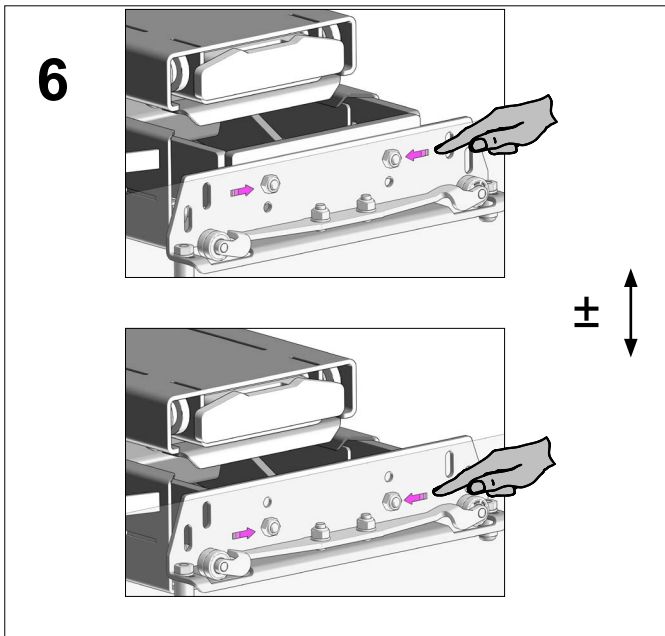


Fig. 12

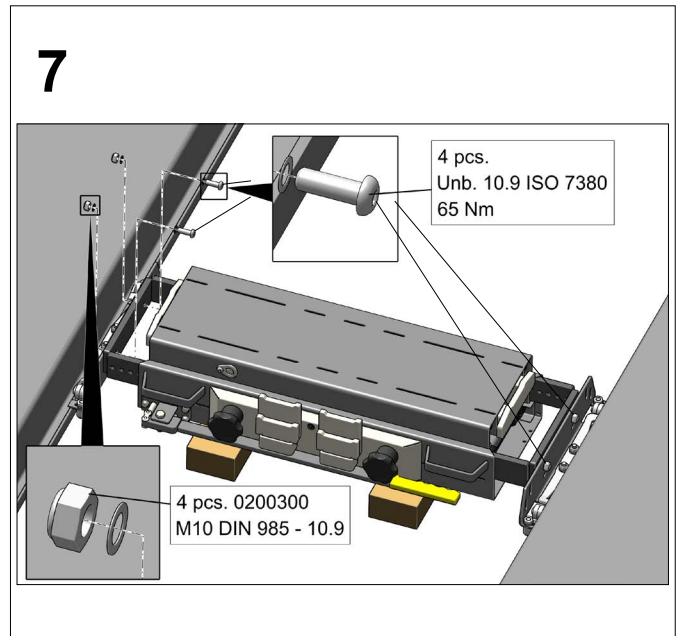


Fig. 13

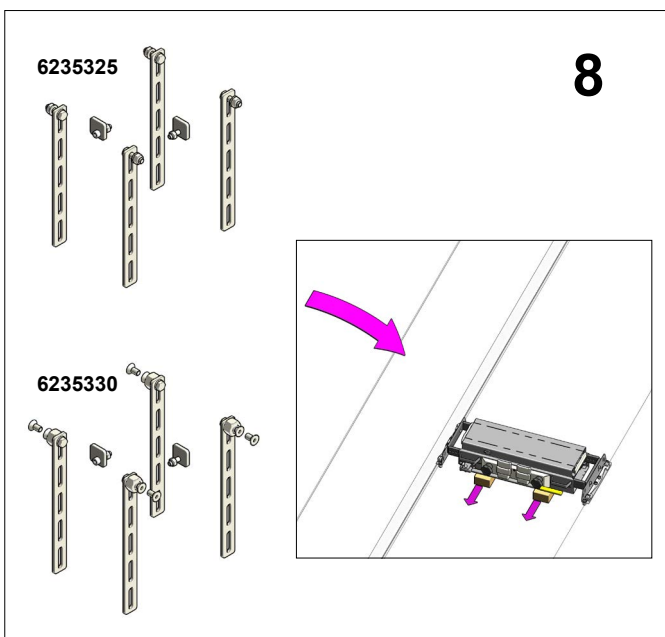


Fig. 14



Fig. 15

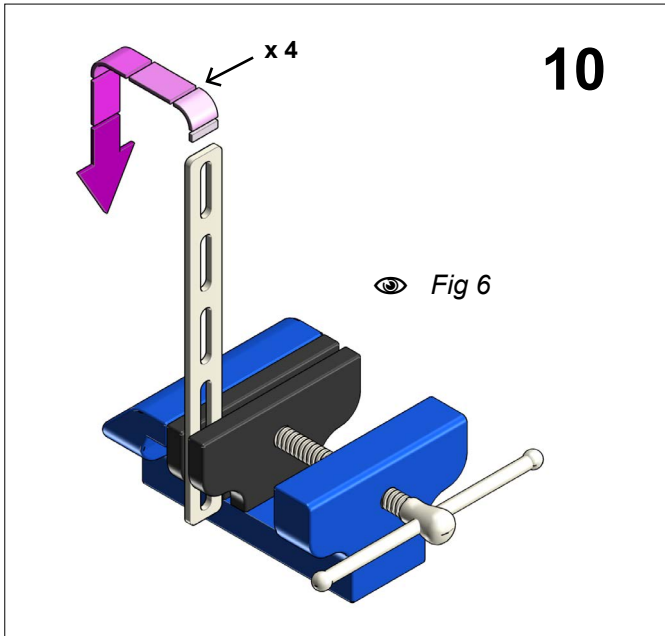


Fig.16

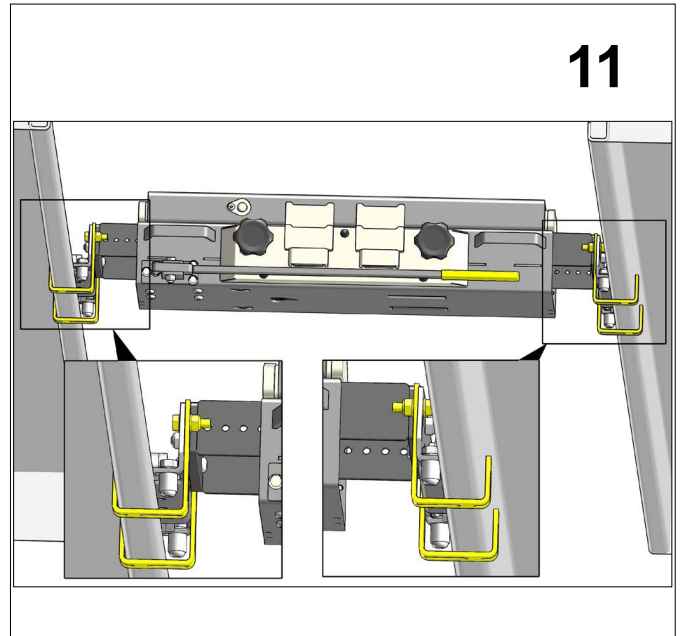


Fig.17

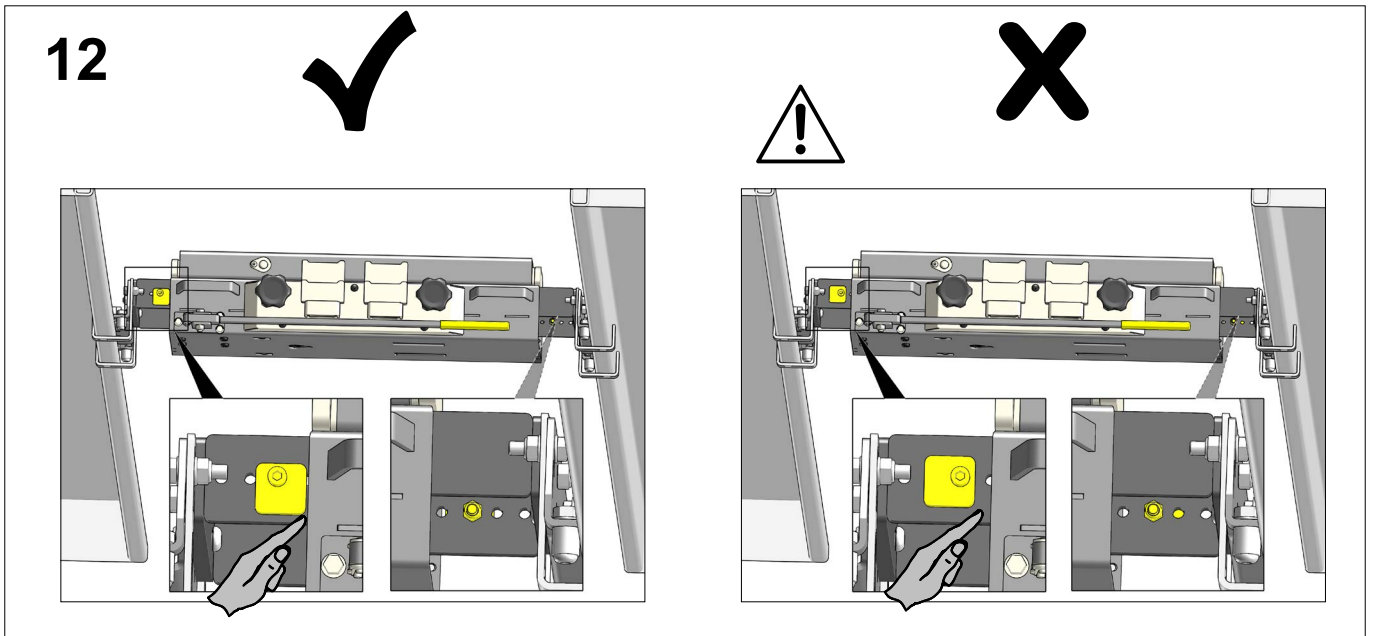


Fig.18

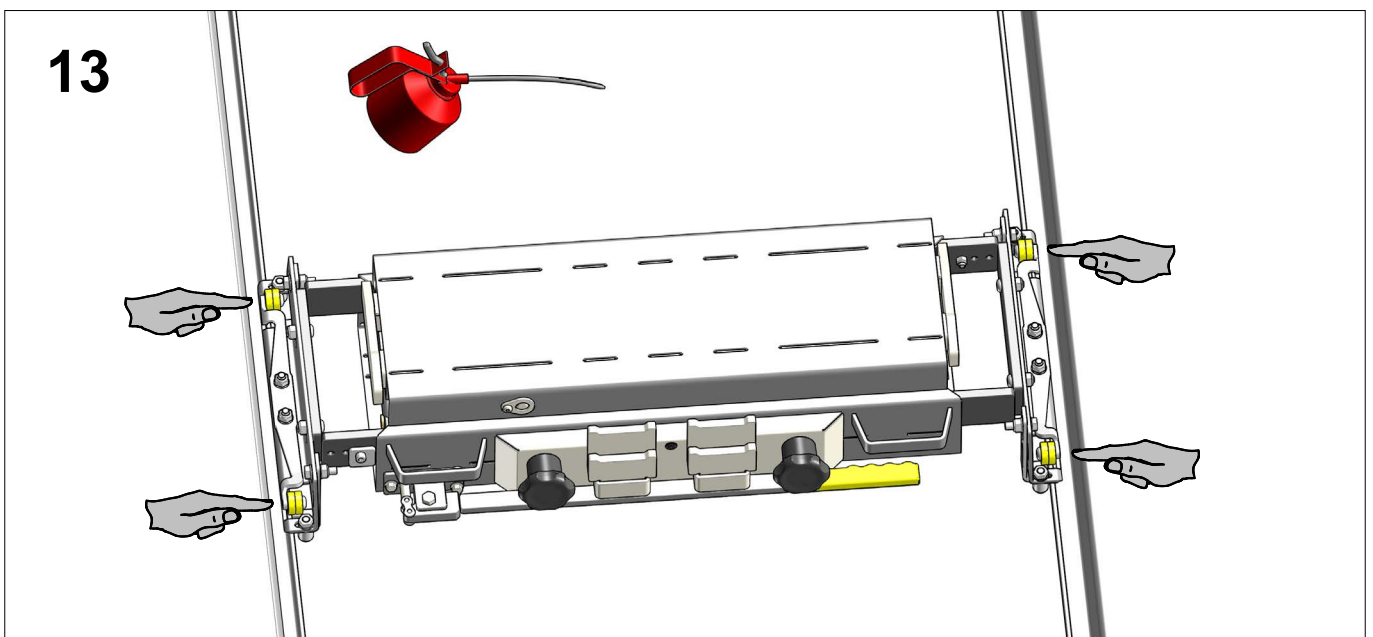


Fig.19

JB320HS / JB326HS

WARNING - SAFE USAGE INSTRUCTIONS

1. The jacking beam is only to be mounted on lifts approved by the lift manufacturer for mounting of jacking beams - be aware that not all lifts are approved. Rated beam capacity must be max. 2/3 of vehicle lift capacity.
2. Mount the jacking beam with adequate support arms on horizontal, parallel and solid rails and secure it against crashing before use. See fig. 1-19.
3. Study, understand and follow all instructions before installing, operating, servicing, or maintaining this equipment.
4. Check before each lift, that the support arms are correctly placed on rail of lift or pit edge.
5. This is a lifting device only. Do not move or transport vehicle with jacking beam.
6. Always lower the jacking beam to the nearest safety stop immediately - or use axle stands for support - before working on vehicle.
7. Do not overload, for instance due to sudden external load. Overload can cause damage or failure of jack.
8. Lift only on points as specified by automaker. During lifting be attentive that the saddles cannot slide.
9. When lifting the complete vehicle by means of 2 jacking beams they shall be placed minimum 0,85 m from each other. Do not exceed vehicle lift capacity.
10. Gravity of load must always be placed centrally. When lifting by means of only one saddle always place it in the centre of the jacking beam. Also, the 2 extension arms must only be used simultaneously.
11. The vehicle must be allowed to run freely during lifting and lowering (without brakes and in neutral).
12. No person must remain in, on or under a vehicle when lifted or supported only by the jacking beam.
13. The operator must observe, that the jacking beam can be operated without any danger to himself and others.
14. The jacking beam as well as the safety valve is not to be altered.
15. Failure to follow these warnings may result in loss of load, damage to jack, and/or failure resulting in personal injury or property damage.

Assembly

See fig. 1-19 on previous pages.

Use

Lifting: Pump with the handle. Lower to the nearest safety stop by turning left handle counter clockwise.

Lowering: Lift a little to allow release of safety stop. Turn both handles counter clockwise (*release valve to the left, release for safety stop to the right*). Both handles automatically return to neutral after releasing.

Maintenance

Maintenance and repairs must always be carried out by qualified personnel.

Daily: Check jacking beam and supports for damage -

and the correct placement of supports.

Monthly: Lubricate all moving parts with oil.

Oil refill and check: Lift to maximum height without load and remove filler plug (12). Correct oil-level is up to the lowest hole.

Oil quantity: **0,6 l.**

Any good hydraulic oil with viscosity ISO VG 15 can be used.

Never use brake fluid.

Safety inspection

In accordance with national regulations - yet, at least once a year - the following parts must be checked by an expert: **Supports and support arms** (*security against crashing*), abnormal wear and damages, weldings and the hydraulic system for leaks. Furthermore that all safety labels are legible.

Possible faults and how to overcome them

1. The jacking beam cannot lift to maximum height:
Refill the oil tank. (See "Maintenance").
2. The jacking beam cannot lift enough: Check that release handle is on "**neutral**" and can move freely. Both release 6222600 (adjusted with nut 0262700) and release arm 6222702 (adjusted with counternuts 2 x 0201600 on the pump's release spindle) must be loose to allow the release valve to close tightly.
3. The jacking beam cannot lower to minimum position: Check for damages; **lubricate** mechanical parts.
4. The jacking beam continues to lower after letting go of the release handle: **Ventilate** the hydraulic cylinder by screw (10).

Warning: *The jacking beam is not to be loaded.*

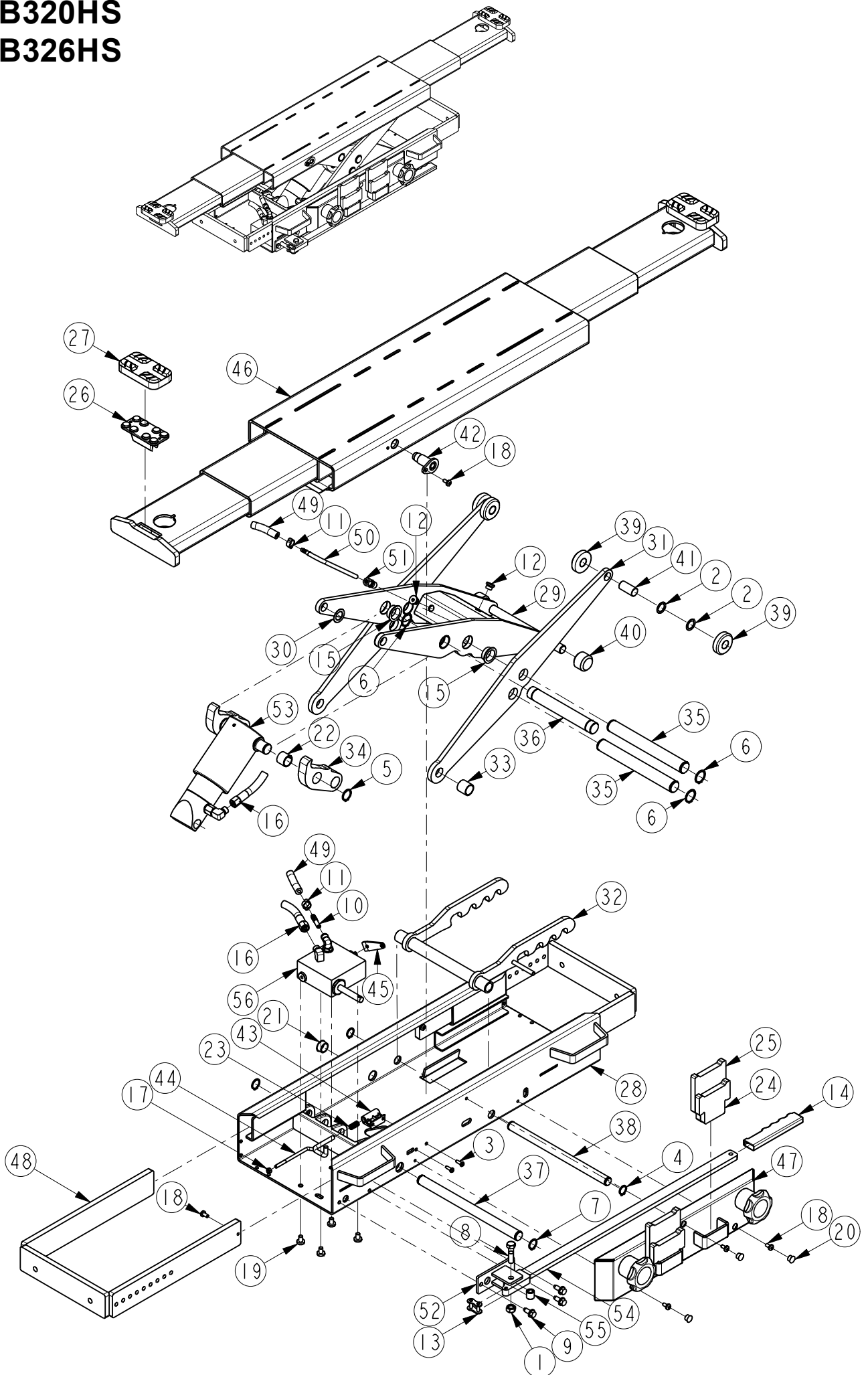
Spare parts

Replace worn or broken parts with genuine jack manufacturer supplied parts only. All major parts may not be provided after discontinuation of a model.

Destruction

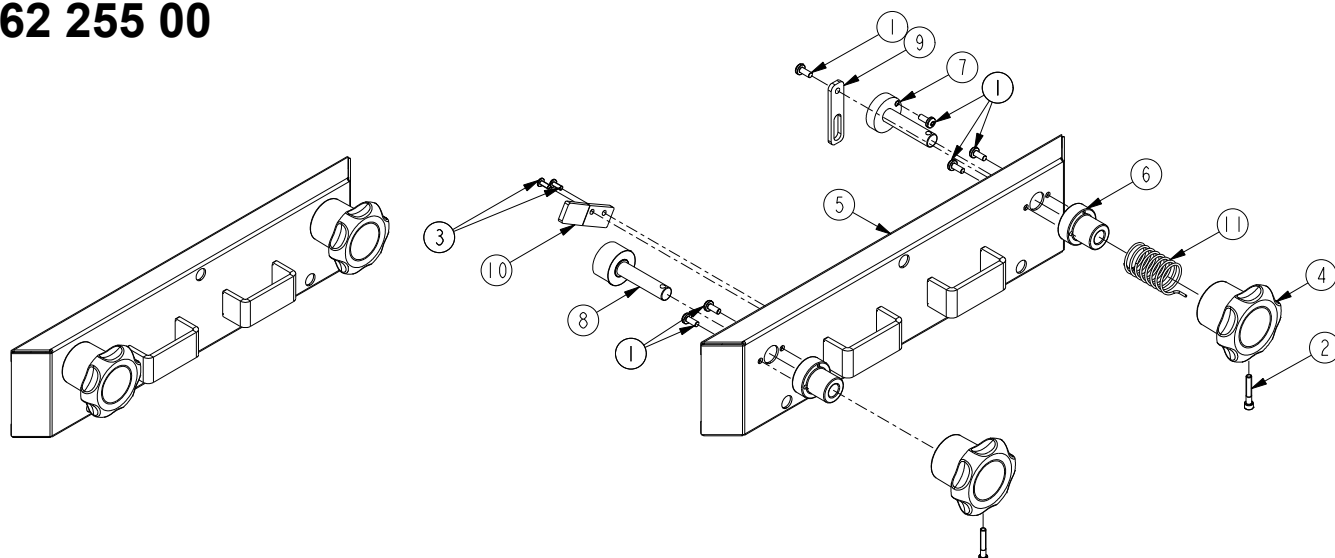
The oil must be drained off and legally disposed of.

JB320HS JB326HS



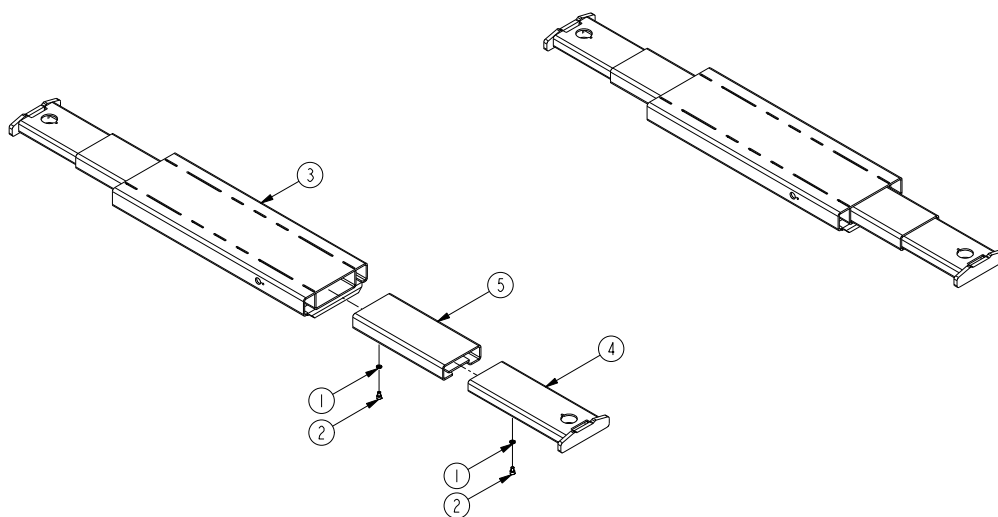
	JB320HS	JB326HS		
Pos.	Art. no.	Art. no.	Pcs.	Description
	62 250 00	62 365 00		Hand-hydraulic jacking beam
1	02 003 00	02 003 00	1	Nut
2	02 004 28	02 004 28	4	Disc
3	02 010 07	02 010 07	2	Screw
4	02 204 00	02 204 00	2	Circlip
5	02 205 00	02 205 00	2	Circlip
6	02 206 00	02 206 00	6	Circlip
7	02 222 00	02 222 00	2	Circlip
8	02 318 00	02 318 00	1	Screw
9	02 350 00	02 350 00	3	Screw
10	02 418 00	02 418 00	1	Hose union
11	02 421 00	02 421 00	2	Hose clamp
12	02 470 00	02 470 00	2	Plug
13	02 543 00	02 543 00	1	Chain Link
14	02 547 00	02 547 00	1	PVC handle
15	02 556 00	02 556 00	4	Bearing
16	02 558 00	02 558 00	1	Hydraulic hose
17	02 627 00	02 627 00	1	Nut
18	02 630 00	02 630 00	7	Screw
19	02 646 00	02 646 00	4	Screw
20	02 649 00	02 649 00	3	Cover button
21	02 651 00	02 651 00	1	Cover button
22	02 705 00	02 705 00	2	Bearing
23	02 754 00	02 754 00	1	Spring
24	62 022 00	62 022 00	2	Extension, 45 mm
25	62 023 00	62 023 00	2	Extension, 90 mm
26	62 024 00	62 024 00	2	Saddle
27	62 172 00	62 172 00	2	Rubber saddle
28	62 201 00	62 201 00	1	Bottom frame
29	62 202 00	62 202 00	1	Scissor half with tank
30	62 202 07	62 202 07	2	PVC disc
31	62 203 00	62 203 00	2	Outer scissor arm
32	62 207 00	62 207 00	1	Safety stop
33	62 207 04	62 207 04	1	Distance bushing
34	62 210 00	62 210 00	2	Curve
35	62 211 00	62 211 00	2	Axle
36	62 212 00	62 212 00	1	Axle
37	62 213 00	62 213 00	1	Axle
38	62 215 00	62 215 00	1	Axle
39	62 216 00	62 216 00	4	Roller
40	62 217 00	62 217 00	2	Roller
41	62 218 00	62 218 00	2	Roller axle
42	62 219 00	62 219 00	2	Axle journal
43	62 225 00	62 225 00	1	Guide block f. release
44	62 226 00	62 226 00	1	Release
45	62 227 02	62 227 02	1	Release lever
46	62 230 00	62 230 00	1	Top beam
47	62 255 00	62 255 00	1	Control panel
48	62 260 00	62 260 00	2	Base support arm
49	90 880 47	90 880 47	1	Suction hose
50	91 204 00	91 204 00	1	Oil tube
51	91 205 00	91 205 00	1	Gland
52	91 225 00	91 225 00	1	Tipping Gear Bracket
53	91 230 00	91 230 00	1	Cylinder, cpl
54	91 238 00	91 238 00	1	Pump lever
55	91 238 04	91 238 04	1	Bearing bush
56	91 250 20	91 250 26	1	Pump, cpl

62 255 00



Pos.	Art. No.	Art. No.	Pcs.	Description
	62 255 00	62 255 00		Control panel
1	02 099 00	02 099 00	6	Screw
2	02 324 00	02 324 00	2	Screw
3	02 755 00	02 755 00	2	Screw
4	62 016 00	62 016 00	2	Operating handle
5	62 221 00	62 221 00	1	Front panel
6	62 222 00	62 222 00	2	Flange bearing
7	62 223 00	62 223 00	1	Release axle
8	62 224 00	62 224 00	1	Release axle
9	62 229 00	62 229 00	1	Splice plate
10	62 256 00	62 256 00	1	Stop
11	90 624 00	90 624 00	1	Spring

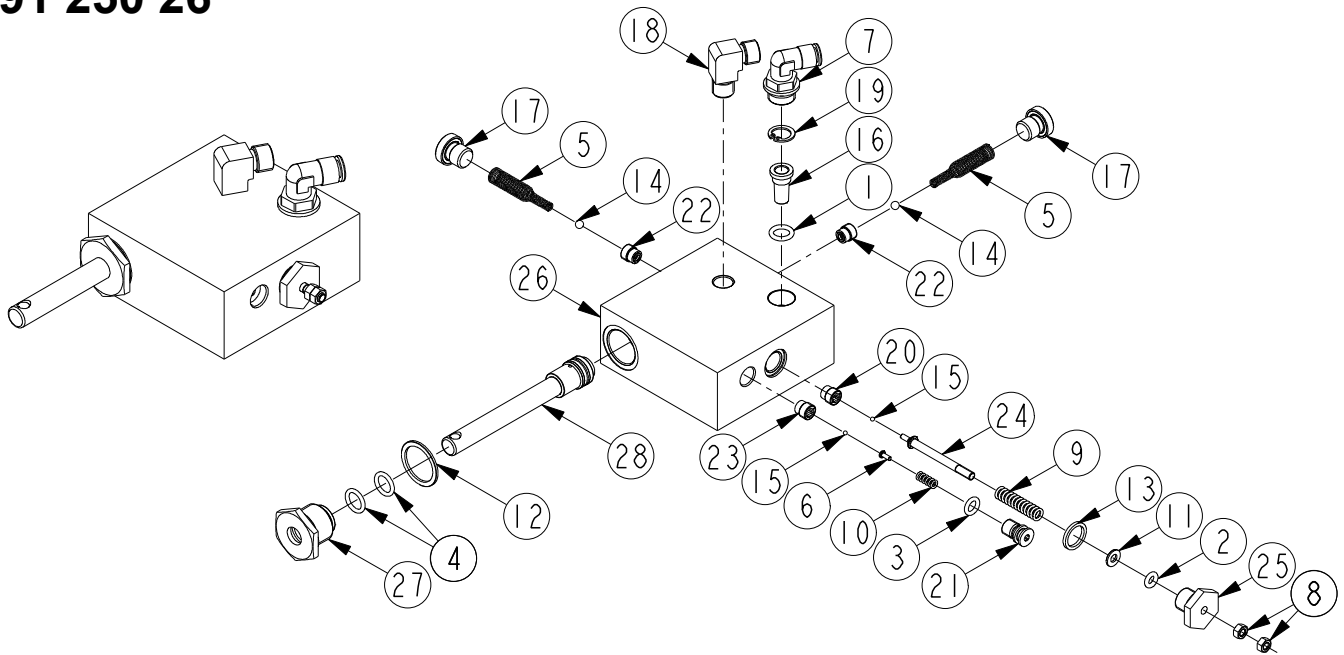
62 230 00



Pos.	Art. No.	Art. No.	Pcs.	Description
	62 230 00	62 230 00		Top beam
1	02 102 00	02 102 00	4	Disc
2	02 308 00	02 308 00	4	Screw
3	62 204 00	62 204 00	1	Top beam
4	62 205 00	62 205 00	2	Outer arm
5	62 206 00	62 206 00	2	Middle arm

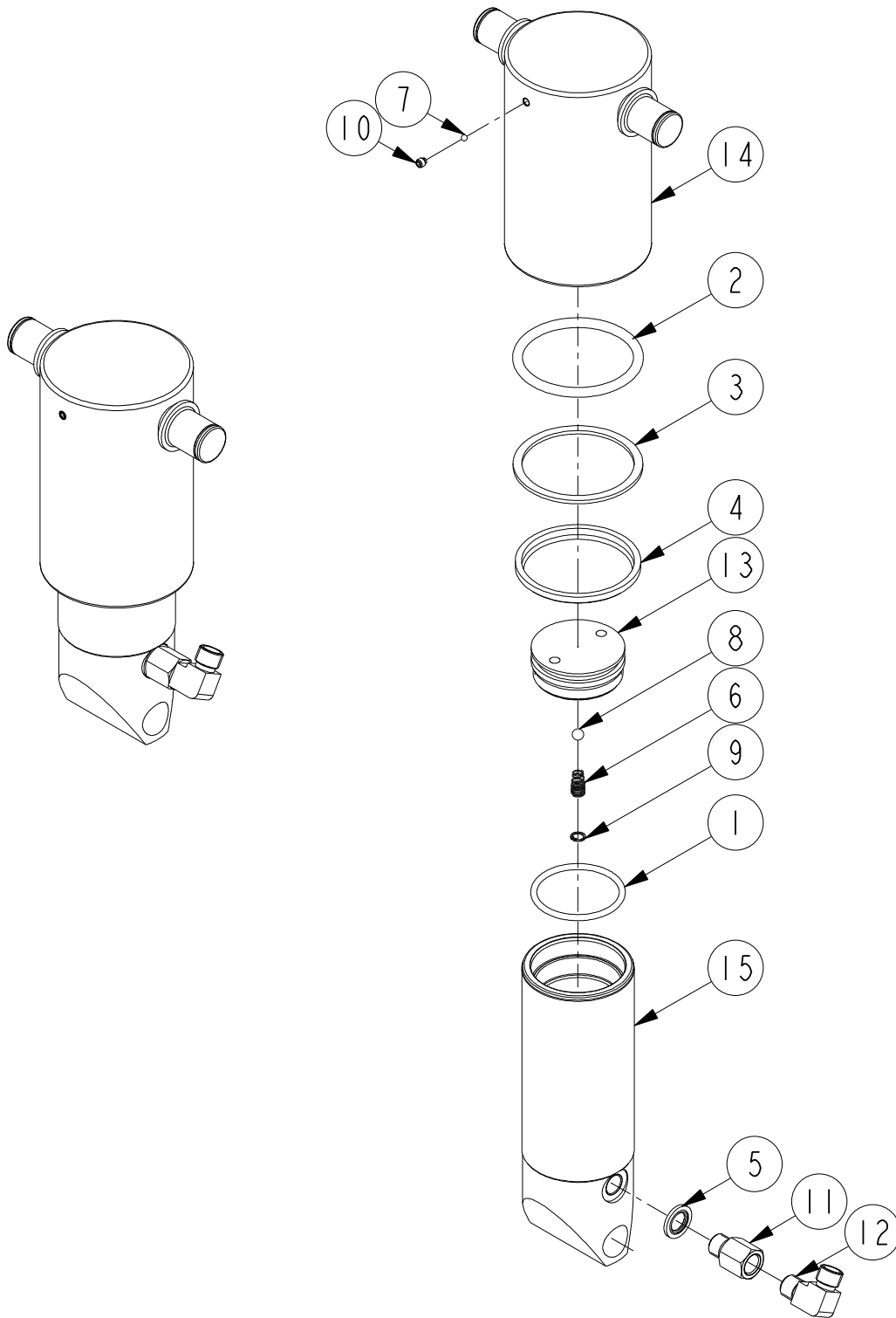
91 250 20

91 250 26



Pos.	JB320HS Art. No.	JB326HS Art. No.	Pcs.	Description
	91 250 20	91 250 26		Pump, complete
*1	01 000 00	01 000 00	1	O-ring
*2	01 039 00	01 039 00	1	O-ring
*3	01 057 00	01 057 00	1	O-ring
*4	01 096 00	01 096 00	2	O-ring
5	02 000 13	02 000 13	2	Spring
6	02 000 22	02 000 22	1	Screw
7	02 008 64	02 008 64	1	Fitting
8	02 016 00	02 016 00	2	Nut
9	02 054 00	02 054 00	1	Spring
10	02 078 00	02 078 00	1	Spring
11	02 108 00	02 108 00	1	Disc
*12	02 127 01	02 127 01	1	Al Disc
*13	02 132 01	02 132 01	1	Al Disc
*14	02 164 00	02 164 00	2	Ball, Ø5
*15	02 183 00	02 183 00	2	Ball, Ø2,5
*16	02 511 00	02 511 00	1	Filter
17	02 584 00	02 584 00	2	Plug
18	02 820 00	02 820 00	1	Fitting
19	02 931 00	02 931 00	1	Circlip
*20	90 667 00	90 667 00	1	Valve cartridge 1/8", Ø2
21	90 674 00	90 674 00	1	Adjusting screw
*22	90 695 00	90 695 00	2	Valve cartridge 1/8", Ø3,5
*23	90 744 00	90 744 00	1	Valve cartridge 1/8", Ø1,5
24	91 056 20	91 056 20	1	Release spindle
25	91 057 10	91 057 10	1	Release guide
26	91 226 03	91 226 03	1	Pump block
27	91 227 00	91 227 00	1	Packing box
*28	91 228 00	91 228 00	1	Pump piston, cpl
*	09 068 00	09 068 00		Repair kit

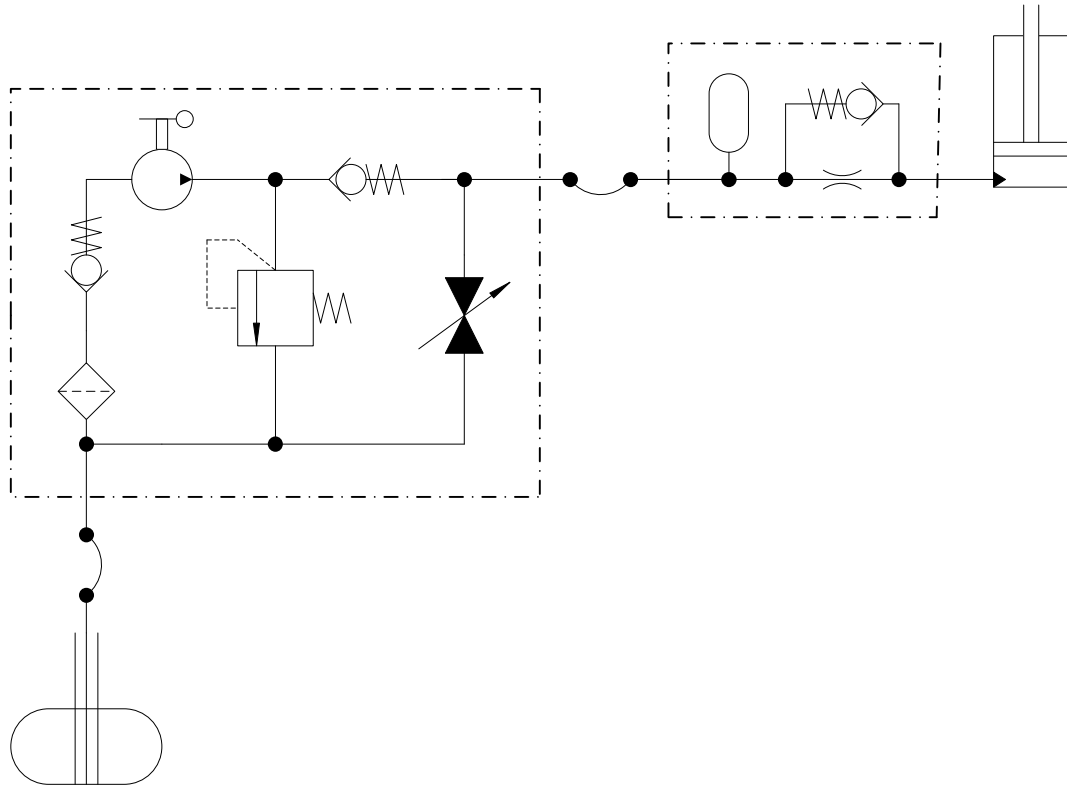
*indicate parts included in repair set. Please always state model and part number. Do always apply original spare parts.
All major parts may not be provided as spare parts after discontinuation of production of a model.



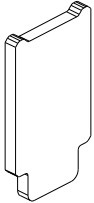
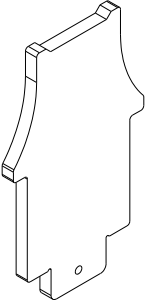
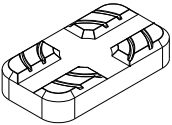
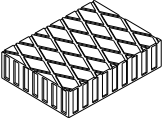
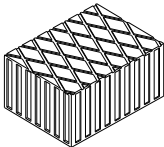
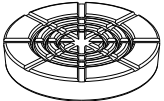
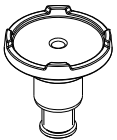
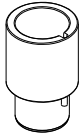
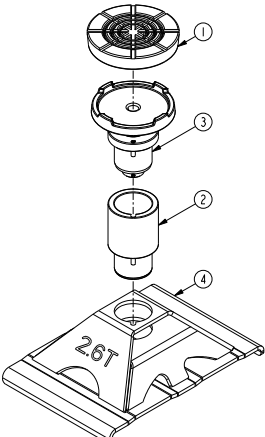
	JB320HS	JB326HS		
Pos.	Art. No.	Art. No.	Pcs.	Description
	91 230 00	91 230 00		Cylinder, cpl
*1	01 020 00	01 020 00	1	O-ring
*2	01 029 00	01 029 00	1	O-ring
*3	01 155 00	01 155 00	1	Back-up ring
*4	01 255 00	01 255 00	1	Scraper
*5	01 438 00	01 438 00	1	Seal
6	02 004 40	02 004 40	1	Compression spring
*7	02 291 00	02 291 00	1	Ball, Ø3,5
*8	02 292 00	02 292 00	1	Ball, Ø6,5
*9	02 542 00	02 542 00	1	Circlip
*10	02 629 00	02 629 00	1	Pinol screw
11	02 633 00	02 633 00	1	Bushing
12	02 820 00	02 820 00	1	Fitting
13	90 817 00	90 817 00	1	Valve disc
14	91 231 00	91 231 00	1	Cylinder
15	91 232 10	91 232 10	1	Piston rod
*	09 044 00	09 044 00		Repair kit

**indicate parts included in repair set. Please always state model and part number. Do always apply original spare parts.
All major parts may not be provided as spare parts after discontinuation of production of a model.*

HYDRAULIC CHART



ACCESSORIES

	Pos.	Art. no.	Pcs.	Description
		62 125 00	1	130 mm Extension
		62 126 00	1	208 mm Extension
		62 172 00	1	Rubber saddle
		02 989 00	1	40 mm Rubber cushion
		02 990 00	1	80 mm Rubber cushion
		36 014 00	1	Rubber saddle
		62 143 00	1	Adjustable saddle
		62 141 00	1	Extention
		62 237 00		Spindlebase, cpl.
	1	36 014 00	1	Rubber saddle
	2	62 141 00	1	Extention
	3	62 143 00	1	Adj. saddle
	4	62 236 00	1	Spindlebase

Continental Automotive Trading UK Ltd

36 Gravelly Industrial Park,
Birmingham,
B24 8TA
Tel: 0121 725 1234
Email: Salesorders@continental-corporation.com
www.continental-aftermarket.com/gb-en

Legal notice

The information in this brochure contains only general technical descriptions and performance characteristics, the applicability of which can depend on further factors in case of actual use. It is not meant or intended to be a specific guarantee of a particular quality or durability.

An obligation to provide the respective characteristics shall only exist if expressly agreed in the terms of contract. We reserve the right to make changes in availability as well as technical changes.

EU and UK Declaration of Conformity for Machinery

**Directive 2006/42/EC
The Supply of Machinery (Safety) Regulations 2008****JB320HS, JB326HS**

Hand-hydraulic Jacking Beam,
are in conformity with the provisions of the Machinery Directive (Directive 2006/42/EC, EN1494, and (The Supply of Machinery (Safety) Regulations 2008 (UK only))).
Mr. Frederik Anker Christensen, Fanøvej 6, DK-8800 is authorized to compile the technical file.